



Scan for full manual

VP-440X Quick Start Guide

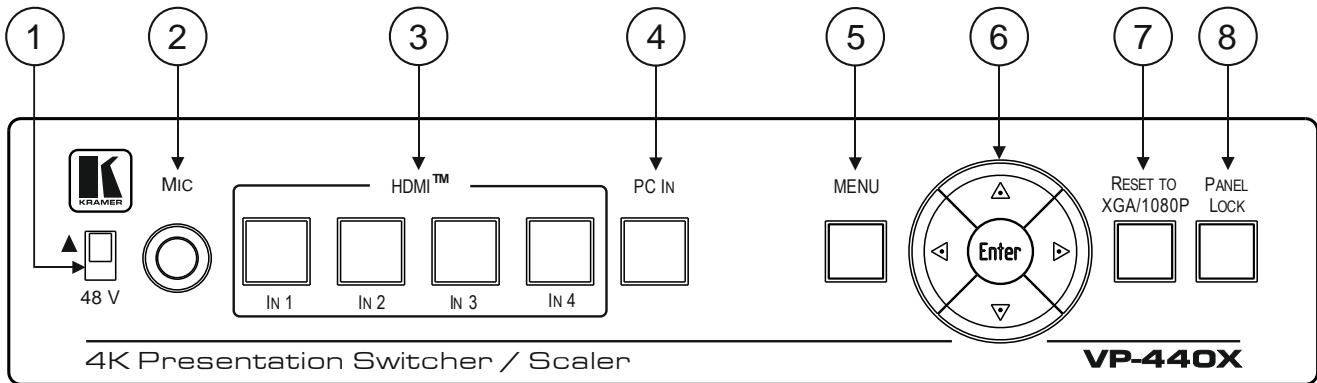
This guide helps you install and use your **VP-440X** for the first time.

Go to www.kramerav.com/downloads/VP-440X to download the latest user manual and check if firmware upgrades are available.

Step 1: Check what's in the box

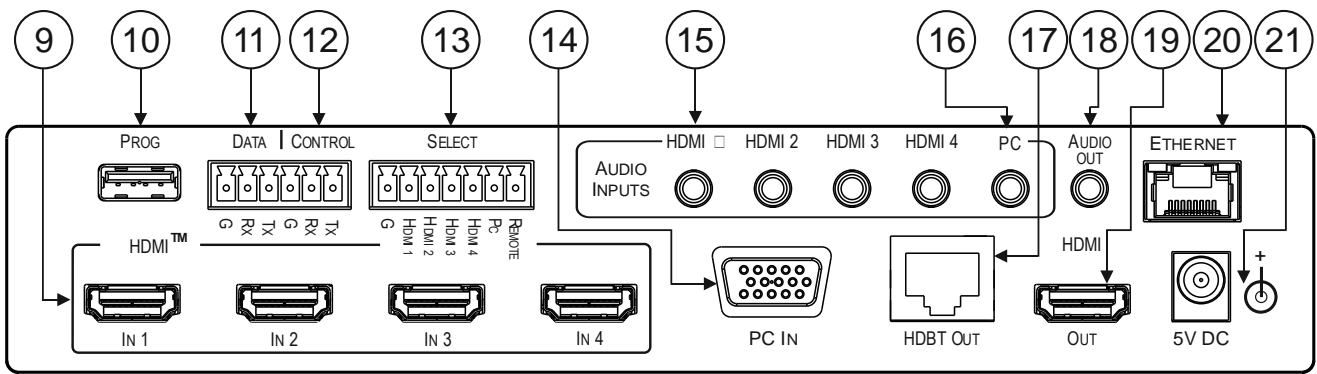
- ✓ **VP-440X** 4K Presentation Switcher Scaler
- ✓ 1 Quick start guide
- ✓ 1 Power adapter and cord
- ✓ 4 Rubber feet

Step 2: Get to know your VP-440X



The terms HDMI, HDMI High-Definition Multimedia Interface, and the HDMI Logo are trademarks or registered trademarks of HDMI Licensing Administrator, Inc.

#	Feature	Function
1	48 V (▲) Slide Switch	Slide up (48V) to select a condenser type microphone; slide down to select a dynamic type microphone (we recommend that you slide down if a microphone is not connected to the VP-440X).
2	MIC 6.3mm Jack	Connect to the microphone source.
3	Input Selector Buttons	HDMI™ IN
4		PC IN
5	MENU Button	Displays the OSD menu.
6	Navigation Buttons	◀
		▲
		▶
		▼
	ENTER	Press to accept changes and change the SETUP parameters.
7	RESET TO XGA/1080p Button	Press and hold for about 5 seconds to toggle the output resolution between XGA and 1080p, alternatively.
8	PANEL LOCK Button	Press and hold for about 5 seconds to lock/unlock the front panel buttons.



#	Feature	Function	
9	HDMI™ IN Connectors	Connect to an HDMI source (from 1 to 4).	
10	PROG USB Type A Connector	Use to upgrade the firmware.	
11	DATA (Tx, Rx, GND) Terminal Block Connectors	Connect to a PC to Extend RS-232 signals via the HDBT OUT port, for example, to control peripheral devices that are connected to the HDBT RECEIVER (e.g. a projector connected to TP-780Rxr) via a PC or a serial controller.	
12	CONTROL (Tx, Rx, GND) Terminal Block Connector	Connect to a PC or serial controller to control the VP-440X or control the output display (configurable).	
13	SELECT 7-pin Terminal Block Connector	HDMI 1 to HDMI 4 and PC: connect to contact closure switches (by momentary contact between the desired pin and G pin) to select an input. REMOTE: momentarily connect the pin to G, or connect an occupancy detector to turn on/off the display (configurable for edge or for level triggering).	
14	PC IN 15-pin HD Connector	Connect to the computer graphics source.	
15	AUDIO INPUT Unbalanced Stereo 3.5 Mini Jack	HDMI	Connect to the analog audio HDMI source (from 1 to 4).
16		PC	Connect to the analog audio computer graphics source.
17	HDBT OUT RJ-45 Connector	Connect to an HDBT receiver (for example, TP-780Rxr).	
18	AUDIO OUT 3.5 Mini Jack	Connect to an unbalanced stereo audio acceptor.	
19	HDMI OUT Connector	Connect to the HDMI acceptor.	
20	ETHERNET Connector	Connects to the PC or other controller through computer networking.	
21	5V DC	+5V DC connector for powering the unit.	

Step 3: Install VP-440X

Install **VP-440X** using one of the following methods:

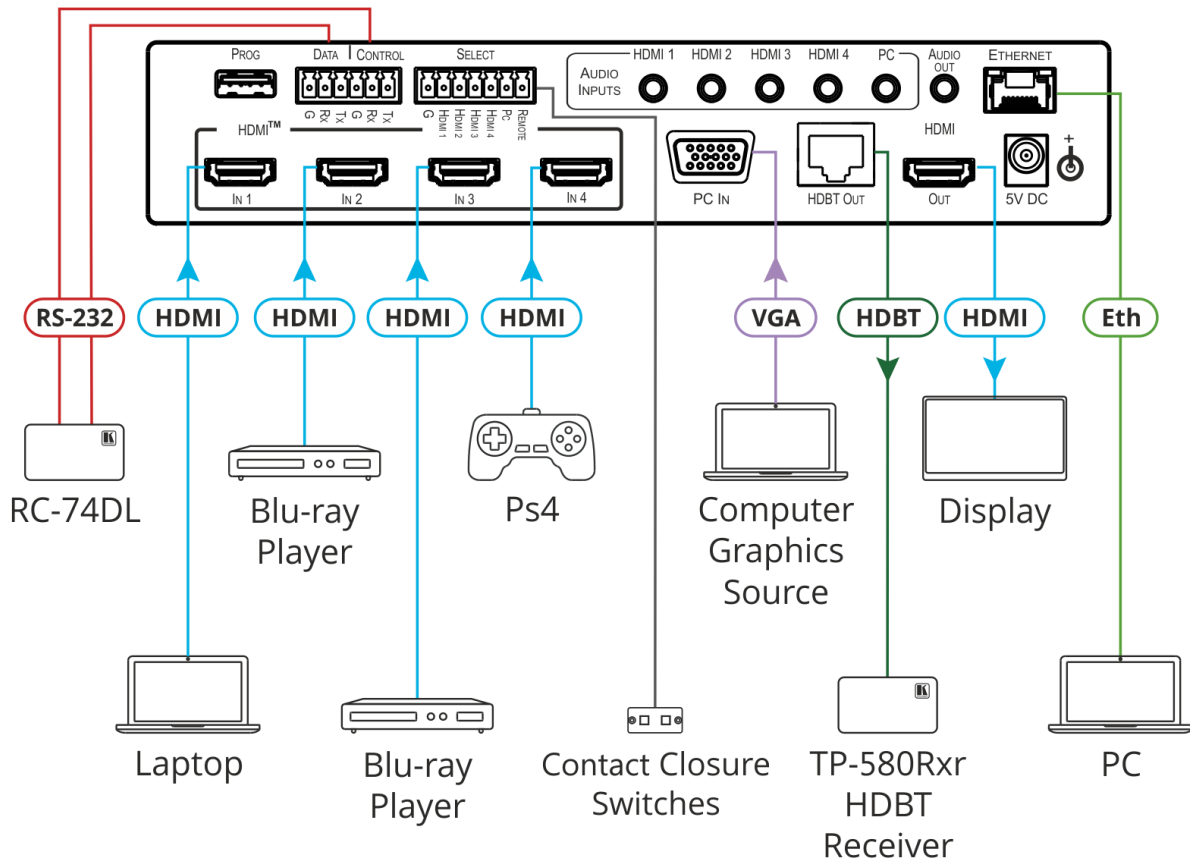
- Attach the rubber feet and place the unit on a flat surface.
- Mount the unit in a rack using the recommended rack adapter (see www.kramerav.com/product/VP-440X).



- Ensure that the environment (e.g., maximum ambient temperature & air flow) is compatible for the device.
- Avoid uneven mechanical loading.
- Appropriate consideration of equipment nameplate ratings should be used for avoiding overloading of the circuits.
- Reliable earthing of rack-mounted equipment should be maintained.
- Maximum mounting height for the device is 2 meters.

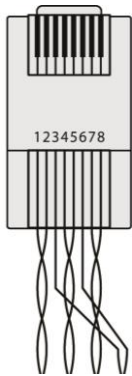
Step 4: Connect the inputs and outputs

Always switch OFF the power on each device before connecting it to your **VP-440X**. For best results, we recommend that you always use Kramer high-performance cables to connect AV equipment to **VP-440X**.



RJ-45 Pinout:

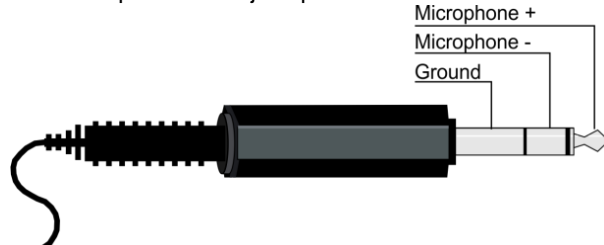
For HDBT cables, it is recommended that the cable ground shielding be connected/soldered to the connector shield.



PIN EIA /TIA 568B	
PIN	Wire Color
1	Orange / White
2	Orange
3	Green / White
4	Blue
5	Blue / White
6	Green
7	Brown / White
8	Brown

Microphone Pinout:

The microphone 6mm jack pinout for a condenser microphone



The microphone 6mm jack pinout for a dynamic microphone.



For optimum range and performance use the recommended Kramer cables available at www.kramerav.com/product/VP-440X.

Step 5: Connect the power

Connect the power adapter to **VP-440X** and plug it into the mains electricity.

Safety Instructions (See www.kramerav.com for updated safety information)

Caution:

- For products with relay terminals and GPIO ports, please refer to the permitted rating for an external connection, located next to the terminal or in the User Manual.
- There are no operator serviceable parts inside the unit.

Warning:

- Use only the power cord that is supplied with the unit.
- Disconnect the power and unplug the unit from the wall before installing.



Step 6: Operate and control the VP-440X

Operate VP-440X via:

- Input select and MENU front panel buttons (as well as reset and panel lock buttons).
- Remotely, by RS-232 serial commands transmitted by a touch screen system, PC, or other serial controller.
- Embedded web pages via the Ethernet.

Select an input via:

- Front panel IN buttons.
- OSD menu.
- Contact closure terminal blocks to select an input remotely with the press of a button (HDMI 1 to HDMI 4, and PC).
- Embedded web pages.

Press the MENU button to configure and control the device via OSD menu:

- Set brightness, contrast, color, etc.
- Select resolution and aspect ratio.
- Select the input source, manage audio input & output volume.
- Manage microphone settings and volume.
- Define OSD display.
- Configure HDCP behavior on input/output.
- Set auto-switching type and lock mode.
- Set Ethernet IP mode, IP address, TCP/UDP ports, etc.
- Manage auto power down (Auto Sync Off).
- Manage EDID.
- View device information.
- Reset to factory default parameters.

