


SEIKAKU TECHNICAL GROUP LIMITED

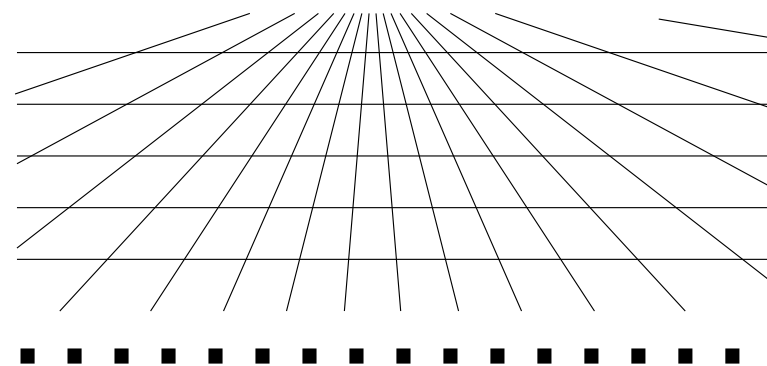
客 戶					
料 號	NF05239				
品 名	說明書-英文				
規 格	NSP-5MB NSP-6MB SHOW_V1.1				
公司機種(客戶機種)成品料號	NSP-5MB/NSP-6MB				
重 量/ 基 數	0.02KG/1				
材 質	NH00231 1:4				
紙張展開性質	<input checked="" type="checkbox"/> A3	<input checked="" type="checkbox"/> A4	<input type="checkbox"/> A5	<input type="checkbox"/> 其它	紙張展開數量 1PCS
核 准		審 核		校 稿	製 稿
					
產品文件編號:					
陽片數量: 2 張					
變更單號: QHFBE004-20180700022					
NO:	修改記錄	版本	更改者	日期	
1	依電子要求變更印刷內容	V1.1	鄧美燕	2018.07.26	

**PENDANT SPHERE
LOUDSPEAKER**

**INSTRUCTION
MANUAL**



NSP-5MB/NSP-6MB

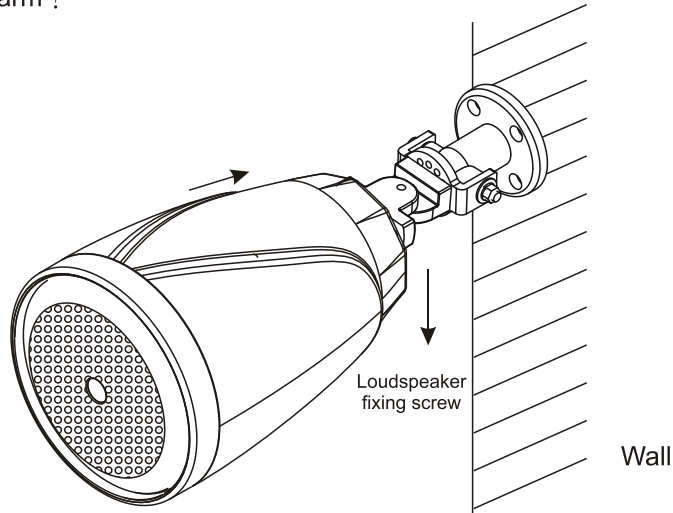


Sphere Loudspeaker

NSP-5MB
NSP-6MB

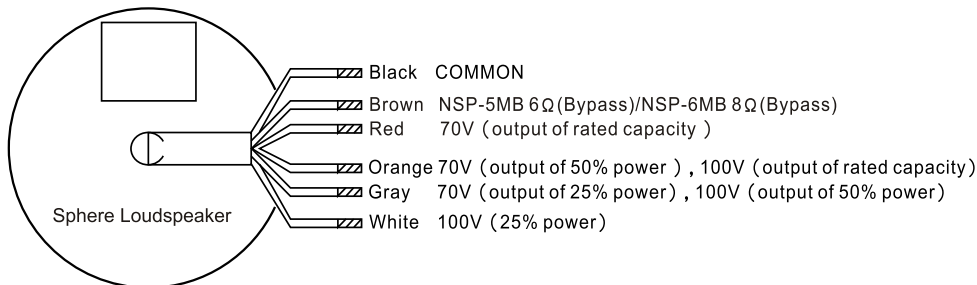
Installation procedures:

1. Adjust the loudspeaker installing angle as needed after fixing the bracket on the wall, then assemble the loudspeaker into the bracket, fasten by the screw.
Attention: Please ensure the bracket have adequate stability & mechanical strength to avoid any harm!



2. Select the appropriate preset input voltage and output power to take equipment connections, detail specifications please refer to the loudspeaker body denotings or the following Product Specifications.
Attention: The wrong preset will damage or shorten the life of the apparatus.

The connectios instruction for the product in use



Product specifications :

Model	NSP-5MB Sphere Loudspeaker
Build-in Speaker	A 5" full-range Paper speaker
Input Power	Rated 20W/Max.40W
Output Power	5W/10W/20W/Bypass
Input Impedance	(100V):2KΩ/1KΩ/500Ω (70V):1KΩ/500Ω/250Ω Bypass 6Ω
Input Voltage	70V/100V
Frequency	130~20KHz (-10dB)
Output Sound Pressure & Voltage	89dB(1W/M)
Dimension	φ 154*218.5mm
Weight	1.8Kg/3.97LBS

Model	NSP-6MB Sphere Loudspeaker
Build-in Speaker	A 6.5" full-range Paper speaker
Input Power	Rated 30W/Max.60W
Output Power	7.5W/15W/30W/Bypass
Input Impedance	(100V):1.33KΩ/666Ω/333Ω (70V):666Ω/333Ω/163Ω Bypass 8Ω
Input Voltage	70V/100V
Frequency	110~20,000Hz (-10dB)
Output Sound Pressure & Voltage	90 dB(1W/M)
Dimension	φ 203*288mm
Weight	2.8Kg/6.17LBS

Measure: mm

