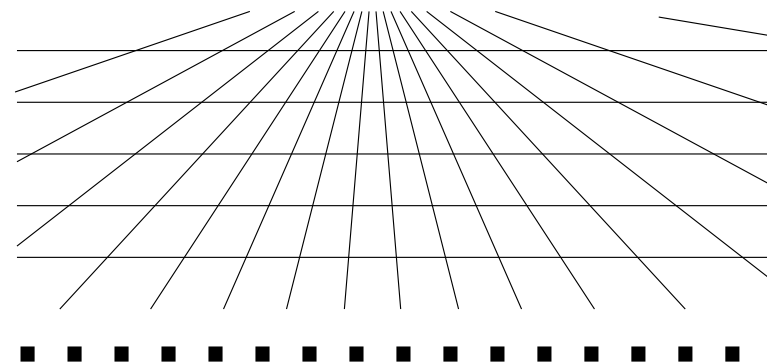


**PENDANT SPHERE  
LOUDSPEAKER**

**INSTRUCTION  
MANUAL**



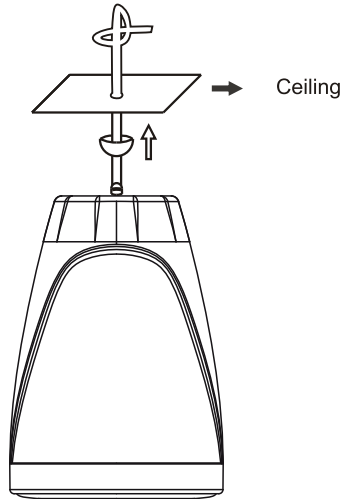
**NSP-5/NSP-6**



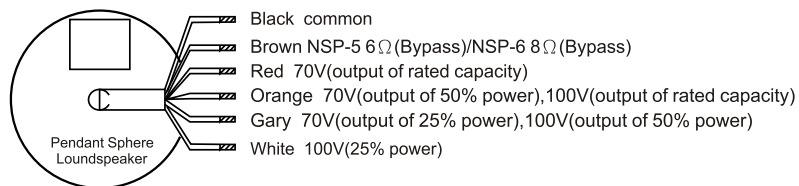
# Pendant Sphere Loudspeaker NSP-5/NSP-6

Installation procedures:

1. First, please drill a 7-8mm round hole into the ceiling, and then insert the loudspeaker cable through the attached cover, which is for hiding the hole. Adjust the cable to an appropriate length (i.e. the height of the loudspeaker) and take it through the hole in the ceiling and then tie a knot to fix it. Press the cover to the end to set the loudspeaker.



2. Choose the required input voltage and output power for connection to the facility. As to the detailed specifications, they can be referred to the instruction on the loudspeaker itself and the following specifications of the product:  
The connecting instruction for the product in use



Product specifications :

Model	NSP-5 Pendant Sphere Loudspeaker	NSP-6 Pendant Sphere Loudspeaker
<b>Build-in Speaker</b>	A 5" full-range Paper speaker	A 6.5" full-range Paper speaker
<b>Input Power</b>	Rated 20W/Max.40W	Rated 30W/Max.60W
<b>Output Power</b>	5W/10W/20W/Bypass	7.5W/15W/30W/Bypass
<b>Input Impedance</b>	(100V):2KΩ/1KΩ/500Ω	(100V):1.33KΩ/666Ω/333Ω
	(70V):1KΩ/500Ω/250Ω	(70V):666Ω/333Ω/163Ω
	Bypass 6Ω	Bypass 8Ω
<b>Input Voltage</b>	70V/100V	70V/100V
<b>Frequency</b>	130~20KHz (-10dB)	110~20.000Hz (-10dB)
<b>Output Sound Pressure &amp; Voltage</b>	89 dB(1W/M)	90 dB(1W/M)
<b>Dimension</b>	φ 154*218.5mm	φ 203*288mm
<b>Weight</b>	1.8Kg/3.97LBS	2.8Kg/6.17LBS

Measure: mm

