

The Kramer RC-20TB

Congratulations on purchasing your Kramer single insert **RC-20TB** which is ideal for using as a means of remote control in boardrooms and presentation rooms.

The **RC-20TB** front panel has two switching buttons (labeled A and B). On the rear are remote contact closure terminal block connectors that connect to a remote switch terminal block connector.

[Figure 1](#) shows the **RC-20TB** front panel and the pinout on the rear:

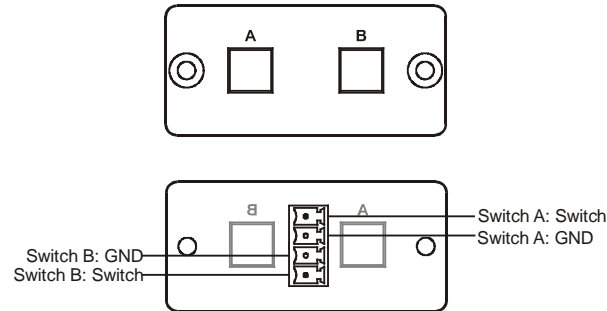


Figure 1: RC-20TB Front Panel and Rear

The Kramer **RC-20TB** can remotely switch the inputs of a machine via its remote contact closure terminal blocks. For example, you can connect the **RC-20TB** to the REMOTE contact closure terminal block connectors of the Kramer **VS-211H Automatic HDMI Standby Switcher** (download the up-to-date Kramer user manual from the Internet at this URL: www.kramerelectronics.com), to remotely switch input 1 or input 2 to the output by pressing button A or button B, respectively.

[Figure 2](#) shows the pinout of the **RC-20TB** when connected to the **VS-211H**.

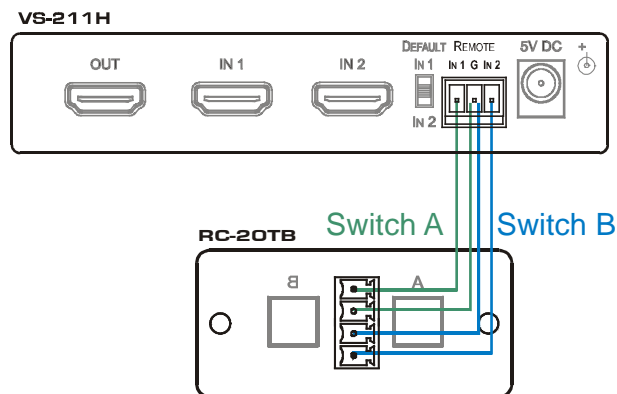


Figure 2: RC-20TB connected to REMOTE Contact Closure Terminal Blocks

In the example illustrated in [Figure 4](#), two **SID-H HDMI Step In Commander** units are connected to **RC-20TB**.

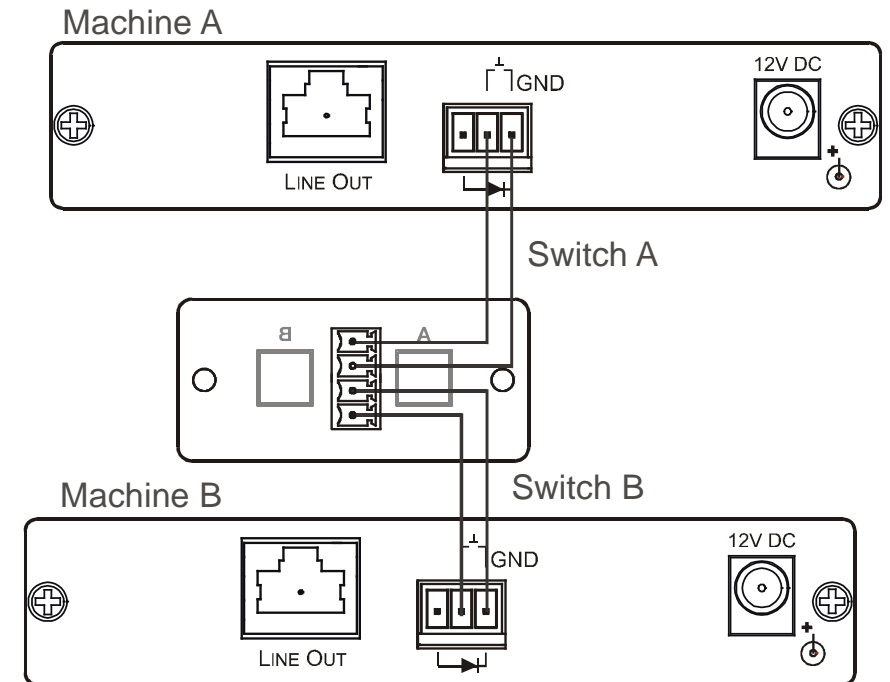


Figure 3: RC-20TB connected to two SID-H Units

To connect the **RC-20TB**, as illustrated in the example in [Figure 3](#) and [Figure 4](#), connect the remote terminal block connectors on each SID-H machine to the A and B terminal block connectors of the **RC-20TB**.

Pressing button A or B on the **RC-20TB** activates the STEP-IN process (allowing this machine's input to be selected on the **VP-81SID**) in Machine A or Machine B, respectively.

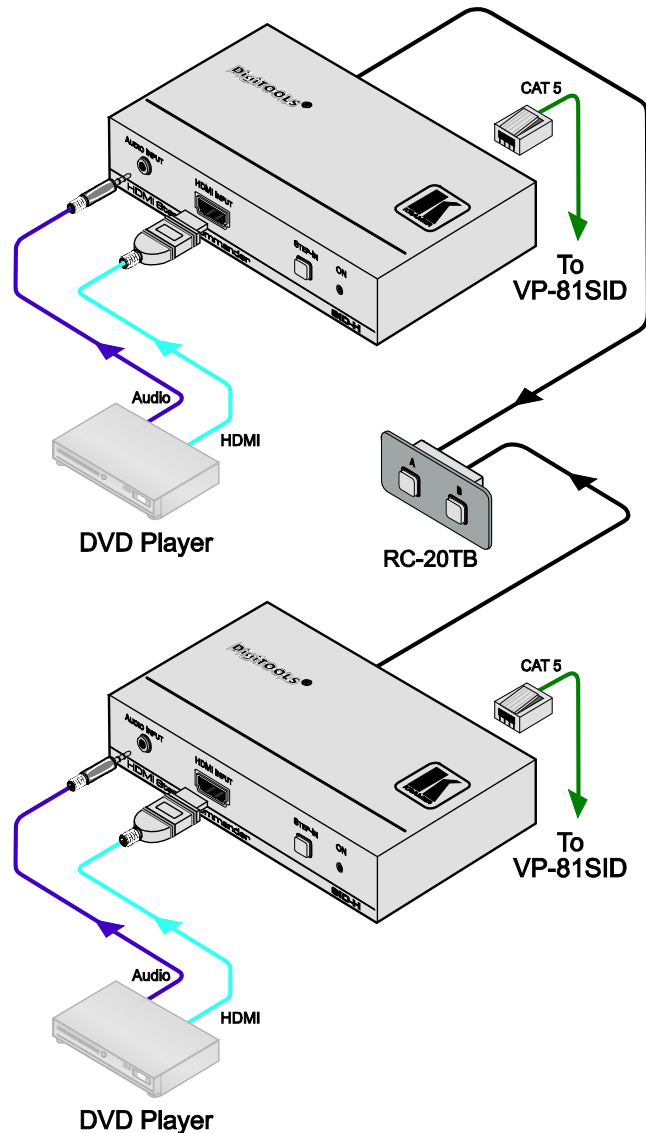


Figure 4: Connecting the RC-20TB



RC-20TB 2-button Contact Closure Switch Installation Instructions

For the latest information on our products and a list of Kramer distributors, visit our Web site at www.kramerelectronics.com



Kramer Electronics, Ltd.

Web site: www.kramerelectronics.com

E-mail: info@kramereel.com

P/N: 2900-000757 REV 1