

TP7 – 7” Touch Panel User Interface Quick Install Guide

English

Thank you for including the TP7 as part of the user interface strategy for your customer. The TP7 has been designed to provide years of trouble free operation when wired and installed properly. The TP7 has been designed for installation in low humidity indoor environments and should never be installed outdoors or in high humidity areas.

Included in the box

- 1ea TP7 touch panel
- 1ea TP7 mounting bracket
- 4ea Mounting screws
- 1ea DC power connector

Introduction

To install the TP7 you will also need a standard 2 gang US junction box or low voltage bracket.

Specifications

Dimensions	Overall 8”w x 5”h Mounting Depth 1 ¾”
Microphone	Dual Digital Beam Forming Far Field Pickup
Speaker	2w integrated
Camera	640 x 480
Display	7” 800 x 480
Network	10/100 Ethernet 802.11 B/G/N WiFi
Connections	
LAN/PoE	RJ-45
Power	2 pin Phoenix
USB	USB Type A
Audio Out	1/8” stereo (Future Use)
Power Requirements	
	Direct – 12V === 1 A PoE – IEEE 802.3at, 13w maximum draw (@48 V === 270 mA max)

Important Safety Instructions

1. Read, understand and follow ALL safety and installation instructions included in this manual.
Failure to follow the included documentation may damage the product and will void manufacturer's warranty.
2. Follow ALL installation guidelines included with the product. Installation of the product in high humidity environments, in close proximity to heat sources and /or non-recommended locations WILL impede, interfere and/or damage the intended operation of the product
3. Only use attachments and accessories which have been specified for use by the manufacturer.
4. The use of abrasive, liquid or solvent based cleaning fluids WILL damage the product.
Please refer and follow all Product Care instructions included with the product.
5. Product Servicing may ONLY be completed by authorized or certified service centers & personnel.
For a complete list of product servicing options, please follow instructions included in the product documentation and /or contact original manufacturer for details.

FEDERAL COMMUNICATIONS COMMISSION INTERFERENCE STATEMENT:

This equipment has been tested and found to comply with the limits for a Class B digital device, pursuant to part 15 of the FCC Rules.

These limits are designed to provide reasonable protection against harmful interference in a residential installation. This equipment generates, uses and can radiate radio frequency energy and, if not installed and used in accordance with the instructions, may cause harmful interference to radio communications. However, there is no guarantee that interference will not occur in a particular installation. If this equipment does cause harmful interference to radio or television reception, which can be determined by turning the equipment off and on, the user is encouraged to try to correct the interference by one or more of the following measures:

- Reorient or relocate the receiving antenna.
- Increase the separation between the equipment and receiver.
- Connect the equipment into an outlet on a circuit different from that to which the receiver is connected.
- Consult the dealer or an experienced radio/ TV technician for help.

FCC and IC Information:

This Class B digital apparatus complies with Part 15 of the FCC rules and with Canadian ICES-003 and RSS-210.

Operation is subject to the following two conditions:

1. This device may not cause interference and
2. This device must accept any interference, including interference that may cause undesired operation of the device.

Cet appareil numérique de classe B est conforme aux normes canadiennes ICES-003 et RSS-210. Son fonctionnement est soumis aux deux conditions suivantes : (1) cet appareil ne doit pas causer d'interférence et (2) cet appareil doit accepter toute interférence, notamment les interférences qui peuvent affecter son fonctionnement.

Warning: Changes or modifications to this unit not expressly approved by the party responsible for compliance could void the user's authority to operate the equipment.

FCC and IC Radiation Exposure Statement:

This equipment complies with FCC radiation exposure limits set forth for an uncontrolled environment and meets the exemption from the routine evaluation limits in section 2.5 of RSS 102.

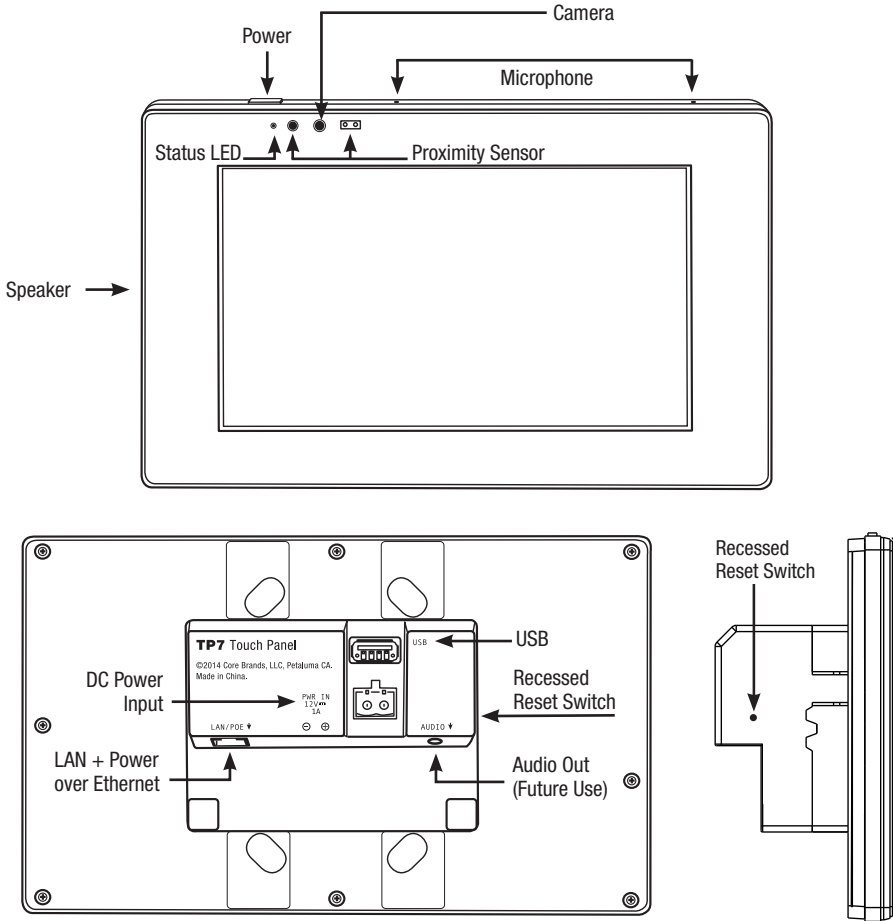
1. This Transmitter must not be co-located or operating in conjunction with any other antenna or transmitter.
2. This equipment complies with FCC RF radiation exposure limits set forth for an uncontrolled environment.
This equipment should be installed and operated with a minimum distance of 20 centimeters from user and bystanders.

Informations concernant l'exposition aux fréquences radio (RF):

La puissance de sortie émise par l'appareil de sans fil est inférieure à la limite d'exposition aux fréquences radio d'Industry Canada (IC). Utilisez l'appareil de sans fil de façon à minimiser les contacts humains lors du fonctionnement normal. Ce périphérique a également été évalué et démontré conforme aux limites d'exposition aux RF d'IC dans des conditions d'exposition à des appareils mobiles (antennes sont supérieures à 20 cm à partir du corps d'une personne).

Warning: The device meets the exemption from the routine evaluation limits in section 2.5 of RSS 102, and users can obtain Canadian information on RF exposure and compliance from the Canadian Representative Product Solutions Group at Tel: (519) 763-4538.

TP7 – Overview



Planning the installation

The TP7 is designed to wall mount in either Portrait or Landscape orientation. Ensure there is adequate wall space for the TP7 and that the surface is relatively smooth.

The TP7 requires a minimum mounting depth of 1 3/4" (4.5 cm) from the front surface **plus** room for wire. Ensure that adequate depth is available.

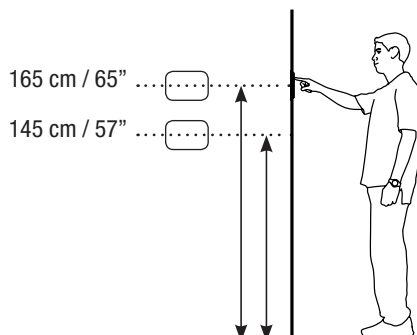
Power may be supplied by Power Over Ethernet (PoE) or by a 12v DC power supply (not included). PoE must meet the IEEE 802.3af standard. Direct power via a 12v DC external power supply requires a minimum current output of 1A.

The TP7 connects to the local network via Ethernet or Wi-Fi. When utilizing Wi-Fi you must ensure that there is adequate Wi-Fi coverage at the mounting location.

1 Installing the TP7

a. Mounting height

– Depending on how tall your homeowner is, it is recommended to locate the center of TP 7 between 57" - 65" (145 cm -165 cm) above the finished floor.



b. Rough-In

The TP7 has been designed to mount to a US standard 2 gang box or low voltage bracket.

- The TP7 is “snap” fit into the box/bracket and requires approximately 10lbs of force to remove it from the wall. Ensure that the mounting method you are using is compatible with these requirements.



New Const. Box



Old Work Box



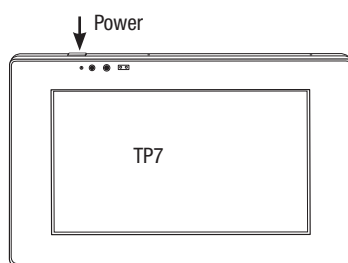
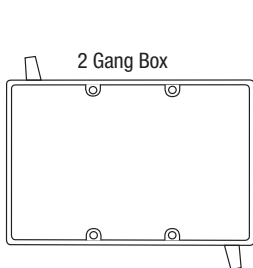
New Const. Low Volt Bracket



Old Work Low Volt Bracket

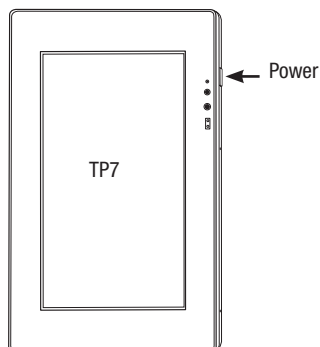
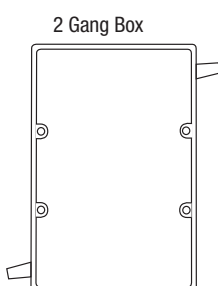
c. Landscape Mounting

- Install the 2 gang box or bracket in its normal orientation – with mounting screw holes at the top and bottom. The box is exactly centered with the touch panel for your convenience.



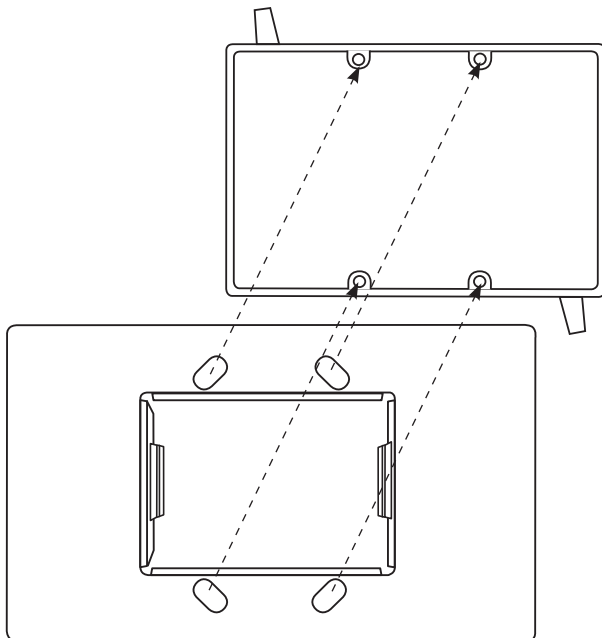
d. Portrait Mounting

- Install the 2 gang box or bracket rotated 90° - with the mounting screw holes on the left and right sides. The box is exactly centered in the touch panel for your convenience.



e. Installing the TP7 Bracket

- The TP7 includes a mounting bracket that **MUST** be used. Using the included screws mount the bracket onto the 2 gang box or low voltage bracket and verify that the bracket is level before tightening the screws.
- The mounting bracket is designed to level out uneven wall surfaces allowing the TP7 to fit securely on most any surface. Note that uneven surfaces will create a gap between the back of the panel and the wall – this is normal. Do not tighten the mounting bracket so as to distort it's shape as this will create issues with properly seating the TP7 in the bracket.

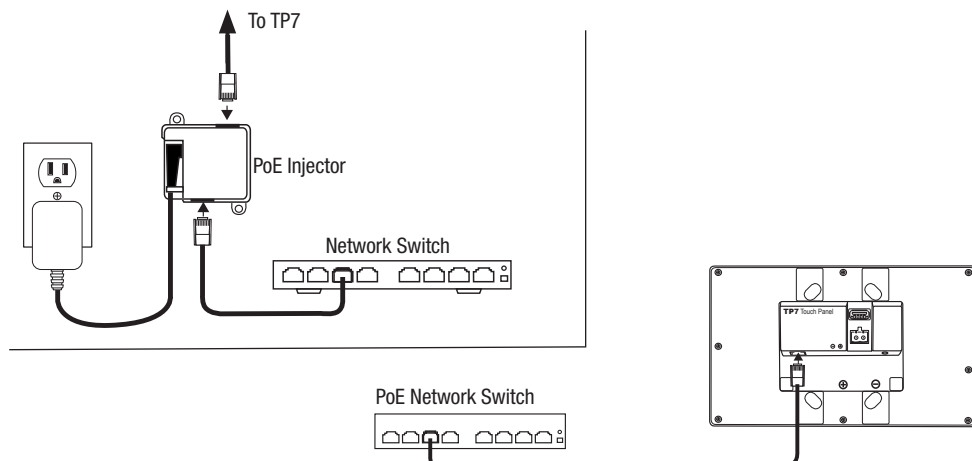


f. Connecting the TP7 to power

- The TP7 is designed to be powered over the Ethernet connection (PoE) or by connecting a 12v power supply (not included), but not both. If both the PoE and a 12v power supply are connected the TP7 will draw power from the 12v source.

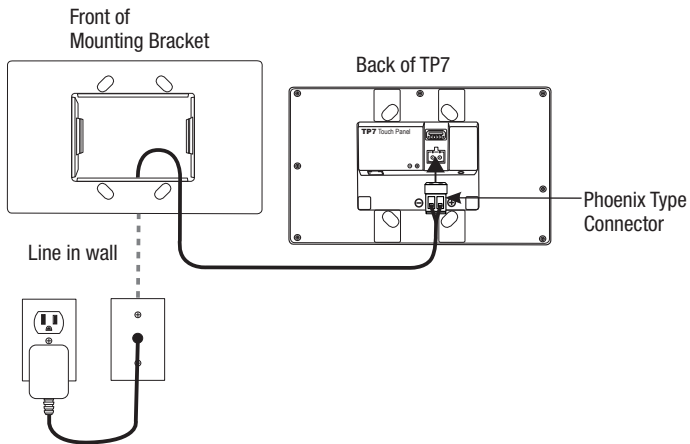
PoE Connection

- PoE connection requires that IEEE 802.3af standard (13w maximum draw @48 V=== @270 mA) is met. Utilize a network switch or PoE injector that meets this standard.
- Connect the TP7 using a standard T568A or T568B Ethernet cable from the network switch to the LAN/PoE jack. If you have terminated your own CAT 5e/6/7 cable use a tester to ensure that both ends have been properly terminated.



12v Power Supply

- By utilizing a 12v power supply (not included) to power the TP7 you may provide power locally or remotely. If powering locally be sure to run the wire through the wall in accordance with local codes. If powering remotely be sure to use wire of adequate gauge for the length of the run.
- Verify the polarity of your power supply prior to termination and ensure the power supply is not connected to a power source.
- Strip approx. ¼” of insulation from the wire and observing the correct polarity, terminate the wire into the supplied connector and tighten firmly. Be sure to twist the wires before inserting so that no strands escape the connector. Inspect the termination to verify that the wire is securely retained by the connector and no strands have escaped the barrier.
- Plug the connector into the TP7.



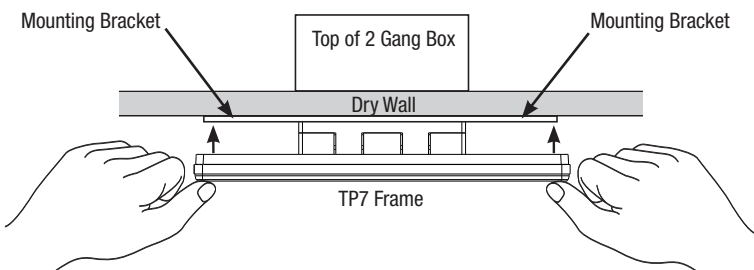
g. Connecting Ethernet

- When not utilizing PoE, but you have a physical network connection available it is recommended that you connect the TP7 directly to the network switch.
- Utilizing a T568A or T568B network cable connect to the LAN/PoE jack. If you have terminated your own CAT 5e/6/7 cable use a tester to ensure that both ends have been properly terminated.

h. Mounting the TP7

- The TP7 is held into the mounting bracket by spring steel tabs.
- Orient the TP7 with the POWER button at the top right for landscape mounting or the top left for portrait mounting.
- To complete the installation simply grasp the TP7 on the edges and press firmly on to the bracket until it is seated.

CAUTION: DO NOT PRESS DIRECTLY ON THE SCREEN when installing on to the mounting bracket. Press only on the frame edges.



2

Powering up the TP7

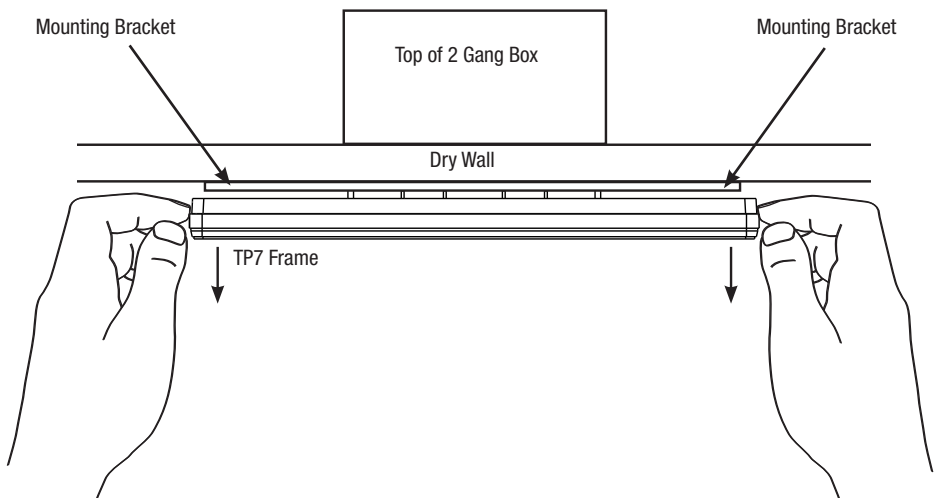
The TP7 will automatically power on when power is applied. Wait for the unit to boot up.

- If connected to a wired Ethernet switch the TP7 will acquire a network address via DHCP and automatically connect to the system.
- If the TP7 does not detect a wired Ethernet connection and the WiFi radio has never been configured you will be presented with the Network Configuration Utility interface. To complete the network configuration please refer to the most current training documentation for your system.

3

Removing the TP7

- Using two hands grasp it on each side or the top and bottom and pull straight out from the wall. It will require approx. 10lbs of force to remove it from the bracket.



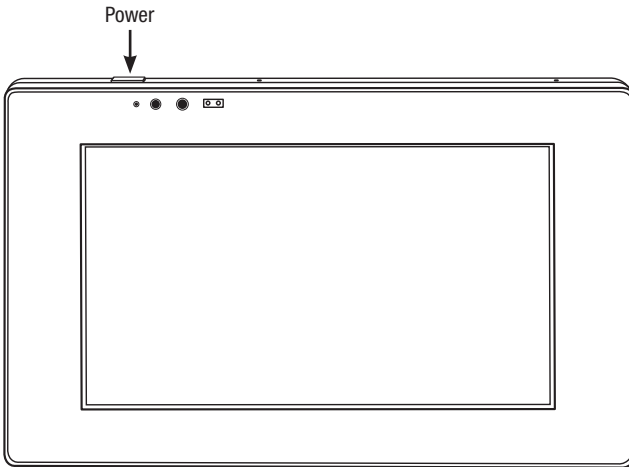
4

Setting screen orientation

The TP7 is shipped pre-configured for landscape orientation.

To change orientation:

- Press and hold power button for 3 seconds.
- Select Configure Panel from the popup menu.
- Select landscape or portrait orientation.



5

RESET

The recessed RESET button has two functions.

- Tap the button to reset the network configuration.
- Press and hold the button for 10 seconds to restore the TP7 to factory default configuration.

CAUTION:

Neither of these actions can be reversed.

