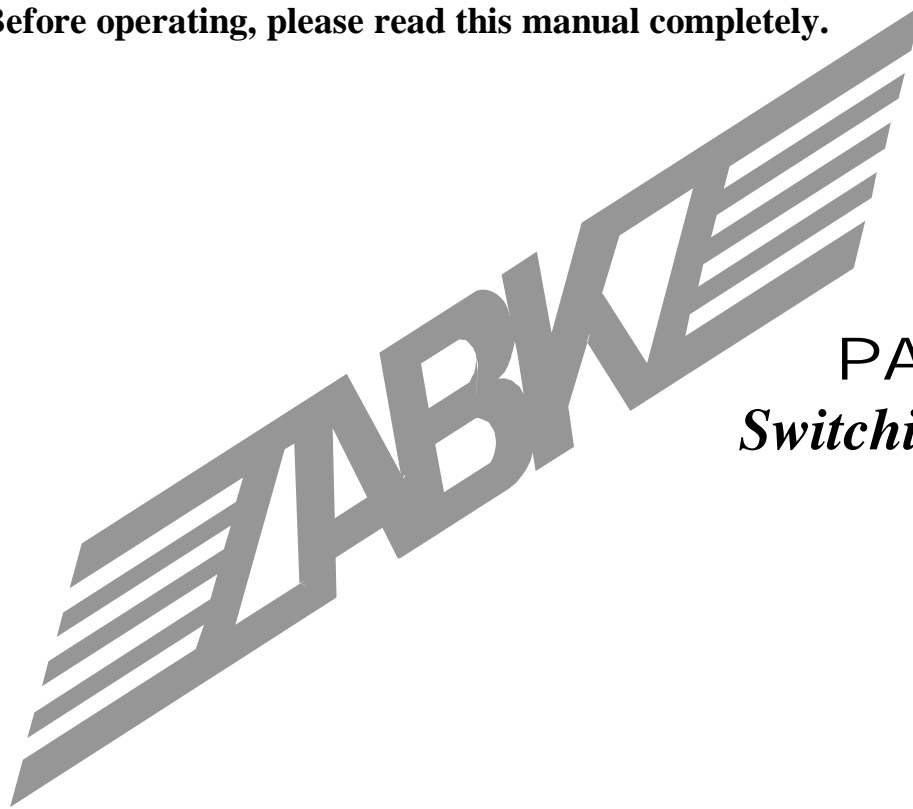


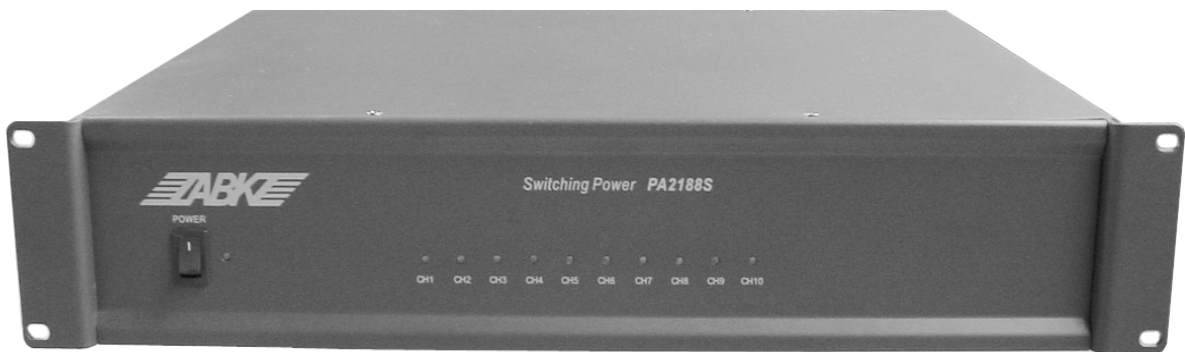
# OWNER'S MANUAL

---

Before operating, please read this manual completely.



PA2188S  
*Switching Power*



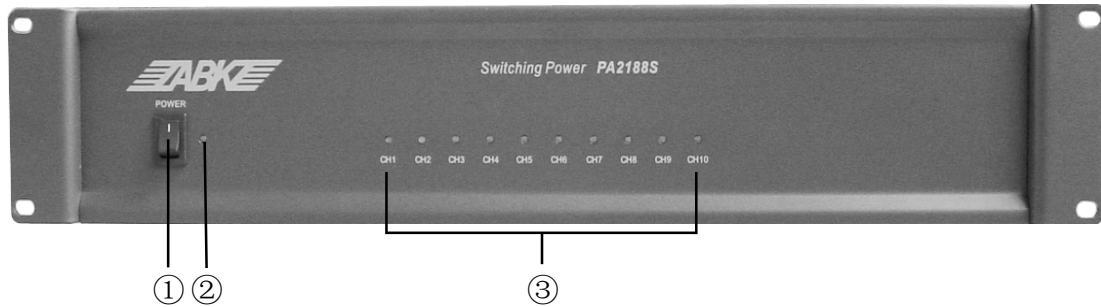
## *FEATURES*

- | 10CH Alarm input
- | 10CH Alarm link output
- | 10CH DC 24V switching power outputs

Left blank for memo

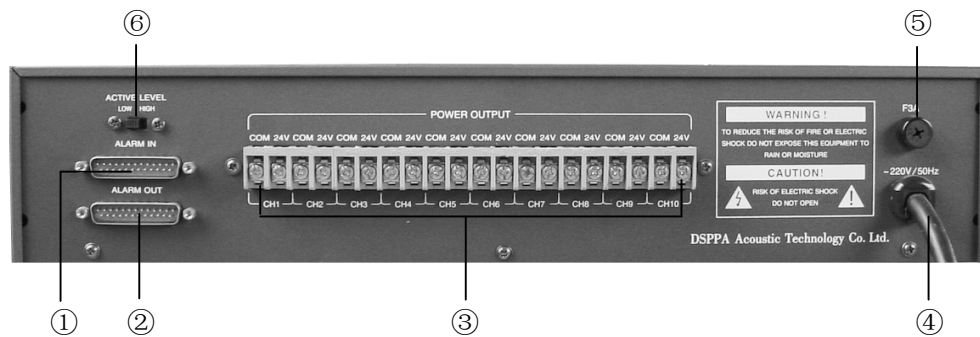


## FRONT PANEL



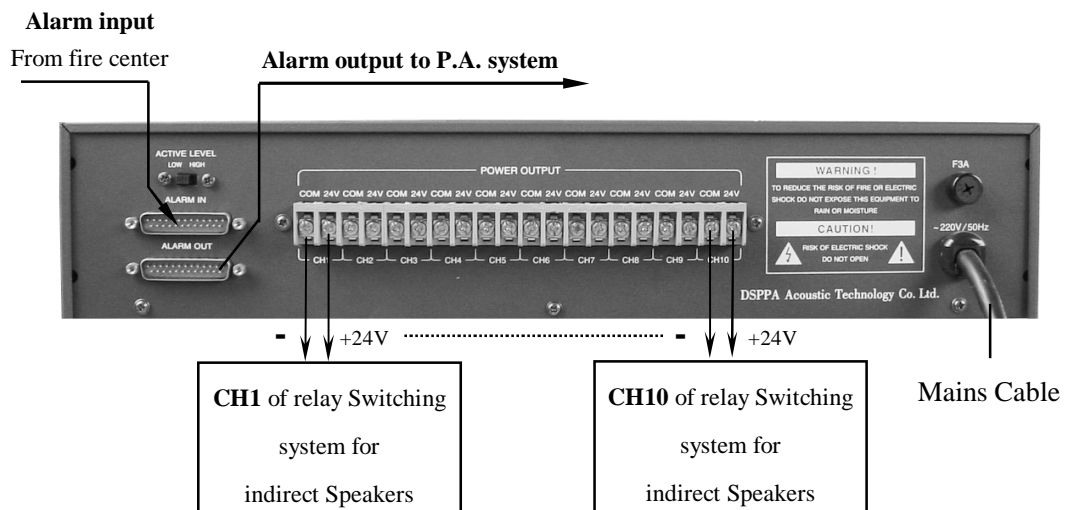
- ① Power Switch (1 is power on and the “power LED” is on )
- ② Power LED indicator
- ③ Output indicator

## REAR PANEL



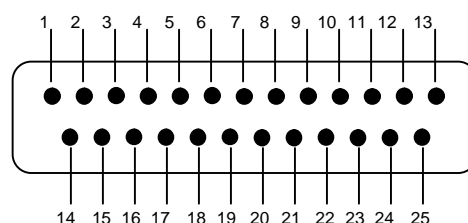
- ① Alarm Input
- ② Alarm Output
- ③ 24V Power Output
- ④ Mains Cable
- ⑤ Fuse
- ⑥ Active Level Selector

## CONNECTIONS



## OPERATION

- ALARM IN** To be connected to fire center, Pin **1~10** are Live Terminals of CH1~CH10 respectively, and Pin **11~25** are COM. **+12V** high-level signal or **0V** low-level signal is available. While **ACTIVE LEVEL** set at **HIGH**, high-level is valid; while set at **LOW**, low-level (grounded signal) is valid.
- ALARM OUTPUT** is connected to P.A. system for activating another device standing by.
- POWER OUTPUT** while alarm signals come in those terminals on real panel will give out **DC 24V** power source automatically for switching on indirect speakers of alarming zone..



## SPECIFICATIONS

<b>Channels</b>	10, activated by alarm signal
<b>Alarm Level</b>	12 V / 0 V, preset available
<b>Output</b>	<b>DC 24 V × 1 A</b> per <b>channel</b>
<b>Protection</b>	AC fuse 1
<b>Power Requirement</b>	AC 220 –240 V / 50~60 Hz
<b>Dimensions</b>	485×88×378mm
<b>Gross weight</b>	11.5 kg
<b>Net weight</b>	10.2 kg

Specifications are subject to be changed without notice.

### CAUTION

- Do not put the vase full of water and similar things on the machine.
- Please pull out the plug from the outlet when the machine is OFF state.
- To reduce the risk of electric shock, do not remove the unit's cover.

No user parts are inside. For services, refer to a qualified service person.