



Scan for full manual

VM-3DT Quick Start Guide

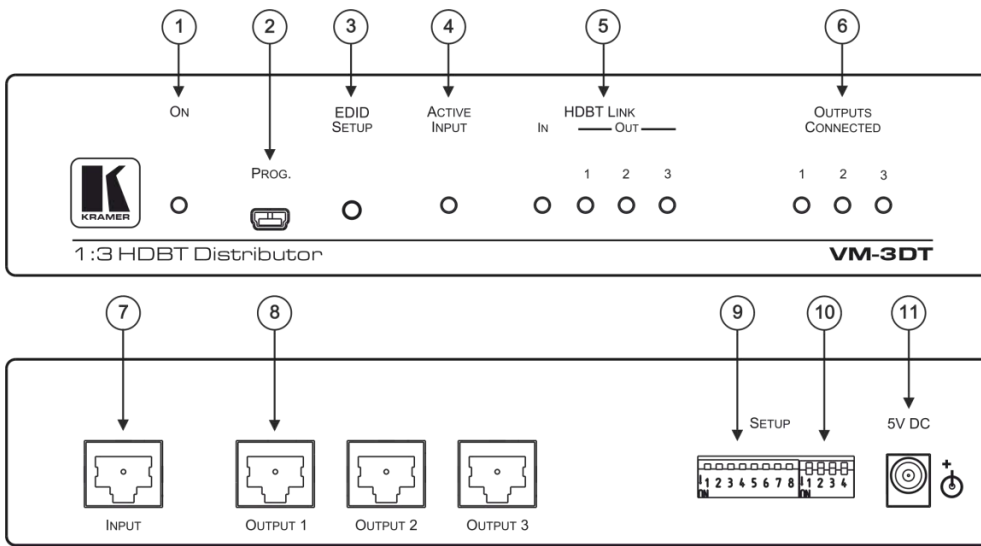
This guide helps you install and use your **VM-3DT** for the first time.

Go to www.kramerav.com/downloads/VM-3DT to download the latest user manual and check if firmware upgrades are available.

Step 1: Check what's in the box

- VM-3DT** 1:3 HDBT Distributor
- 1 Power supply (5V DC)
- 1 Quick start guide
- 4 Rubber feet

Step 2: Get to know your VM-3DT



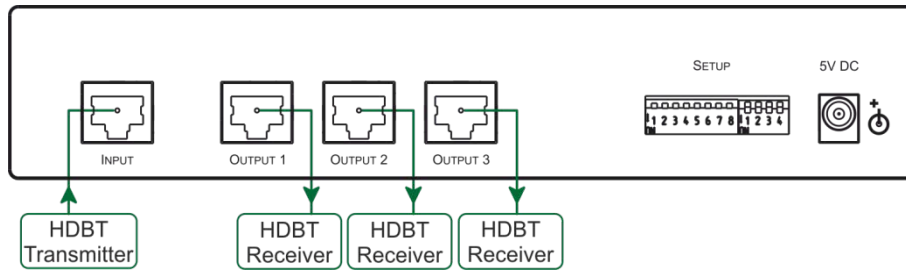
#	Feature	Function	
1	ON LED	Lights green when the unit receives power	
2	PROGRAM Mini USB Connector	Use to send RS-232 commands. Connect to a PC to perform firmware upgrades (via K-Upload) and work with the EDID Designer. K-Upload and EDID Designer can be downloaded from our Web site at: www.kramerav.com/manual/EDID_Designer	
3	EDID SETUP Button	Press to capture the input EDID, force RGB mode or select the default EDID	
4	ACTIVE INPUT LED	Lights green when an HDMI signal is embedded on the HDBaseT input	
5	HDBT LINK LEDs	IN	Lights green when a link is established with the HDBaseT transmitter
		OUT	Lights green when a link is established with the HDBaseT receiver (1 to 3)
6	OUTPUTS CONNECTED LEDs	Lights green when an acceptor (sink) is detected on the HDBaseT receiver connected to the output (from 1 to 3)	
7	INPUT HDBT Connector	Connects to an HDBaseT source, for example VS-44DT	
8	HDBT OUT Connectors	Connect to an HDBaseT acceptor (from 1 to 3), for example TP-580R	
9	SETUP 8-way DIP-switches	Use to set IR (DIP-switches 1-3) and RS-232 (DIP-switches 5-7) command behavior	
10	SETUP 4-way DIP-switch	For future use	
11	5V DC	+5V DC connector for powering the unit	

Step 3: Install the VM-3DT

To mount the **VM-3DT** in a rack, use an **RK-1** rack adapter. Alternatively, attach the rubber feet to the underside of the **VM-3DT** and place it on a table.

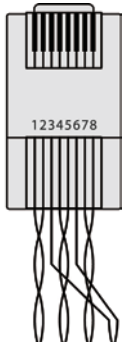
Step 4: Connect the inputs and outputs

Always switch OFF the power on each device before connecting it to your **VM-3DT**. For best results, we recommend that you always use Kramer high-performance cables to connect AV equipment to the **VM-3DT**.



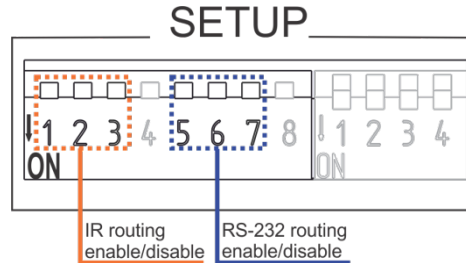
RJ-45 Pinout:

For HDBaseT connectors:



PIN EIA /TIA 568B	
PIN	Wire Color
1	Orange / White
2	Orange
3	Green / White
4	Blue
5	Blue / White
6	Green
7	Brown / White

DIP-Switch Setup:



Note: DIP-switches 4 and 8 are reserved for future use. By default, all DIP-switches are set to OFF (up).

Out #	IR Routing is enabled when:	RS-232 Routing is enabled when:
OUT 1	DIP 1 – OFF (up)	DIP 5 – OFF (up)
OUT 2	DIP 2 – OFF (up)	DIP 6 – OFF (up)
OUT 3	DIP 3 – OFF (up)	DIP 7 – OFF (up)

Step 5: Connect the power

Connect the power adapter to the **VM-3DT** and plug the adapter into the mains electricity.

Safety Instructions



- Caution:** There are no operator serviceable parts inside the unit.
Warning: Use only the Kramer Electronics power supply that is provided with the unit.
Warning: Disconnect the power and unplug the unit from the wall before installing.
 See www.KramerAV.com for updated safety information.

Step 6: Acquire the EDID

To acquire an EDID, press the **EDID SETUP** button as follows:

- Press the EDID SETUP button once.
The OUTPUTS CONNECTED LEDs flash to indicate the current EDID used: 1, 2, or 3, or all if the default EDID is currently used.
- Press the EDID SETUP button again to enter the EDID read mode and then press repeatedly to cycle through the EDID source options until the desired EDID source is reached: OUT 1 -> OUT 2 -> OUT 3 -> all LEDs flash (for a default EDID).
- Wait a few seconds for the **VM-3DT** to read the EDID. When complete, all LEDs display the present output connection status.

Technical Specifications

Input:	1 HDBT on an RJ-45 female connector
Outputs:	3 HDBT on RJ-45 female connectors
Extension Line / Range:	HDBaseT 1.0 compliant. Up to 40m (130ft) at 4K@60Hz (4:2:0); Up to 70m (230ft) at full HD (1080p@60Hz 36bpp). Note: When using Kramer HDBaseT cables. This reach applies to each IN and OUT port separately, the total end-to-end reach is the sum of all ports' reach.
Video:	Up to 4K@60Hz (4:2:0) resolution; Up to 10.2Gbps (3.4Gbps per graphic channel) data rate; Complies with HDMI 2.0 and HDCP 1.4
Controls:	EDID SETUP button; Indicator LEDs: OUTPUTS CONNECTED 1-3, HDBT LINK 1-3, ACTIVE INPUT, ON
Operating Conditions:	Operating Temperature: 0° to +40°C (32° to 104°F); Storage Temperature: -40° to +70°C (-40° to 158°F); Humidity: 10% to 90%, RHL non-condensing
Power:	Power Source: 5.2V/4A; Power Consumption: 5V DC, 3.2A
Dimensions:	21.5cm x 16.3cm x 4.4cm (8.4" x 6.4" x 1.8"); Shipping: 35.1cm x 21.2cm x 7.2cm (13.8" x 8.3" x 2.8") (W, D, H)
Weight:	0.53kg (1.17lb); Shipping Weight: 1.29kg (2.84lb)
Included Accessories:	Power supply
Specifications are subject to change without notice at www.kramerav.com	