



Scan for full manual

PT-872xr Quick Start Guide

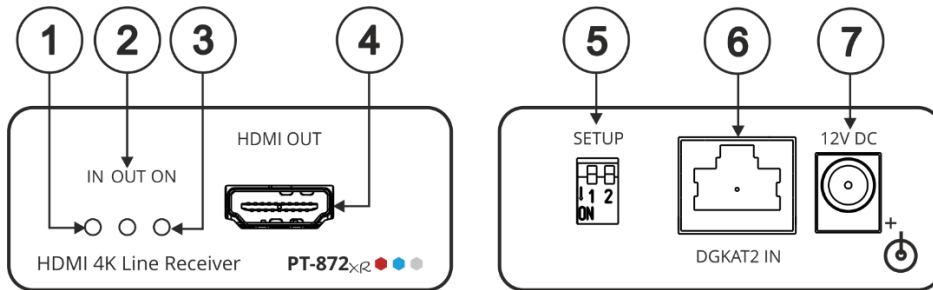
This guide helps you install and use your **PT-872xr** for the first time.


Go to www.kramerav.com/downloads/PT-872xr to download the latest user manual and check if firmware upgrades are available.

Step 1: Check what's in the box

- ✓ PT-872xr HDMI 4K Line Receiver
- ✓ 4 Rubber feet
- ✓ 1 Quick start guide
- ✓ 1 Power adapter and cord
- ✓ 1 Bracket set

Step 2: Get to know your PT-872xr

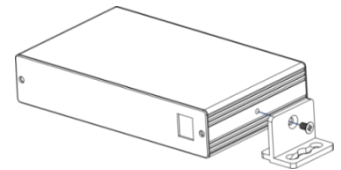


#	Feature	Function
1	LED Indicators	IN
2		OUT
3		ON
4	HDMI OUT Connector	Connect to an HDMI acceptor.
5	SETUP DIP-switches	Set the operation DIP-switches. Both DIP-switches are set to OFF (up) by default.  Always set the DIP-switches identically on transmitter and receiver devices.
	DIP-switch 1: Compression Options	OFF (up) – Standard compression level. ON (down) – High compression level for additional range extension.
	DIP-switch 2: Compression Setup	OFF (up) – Enable compression (mandatory). ON (down) – For future use.
6	DGKAT2 IN RJ-45 Connector	Connect to the DGKat-2.0 OUT connector on the WP-871xr using twisted pair cable.
7	12V DC Connector	Connect the power adapter to the device.

Step 3: Install the PT-872xr

Install **PT-872xr** using one of the following methods:

- Attach the rubber feet and place the unit on a flat surface.
- Fasten a bracket (included) on each side of the unit and attach it to a flat surface. For more information go to www.kramerav.com/downloads/PT-872xr.
- Mount the unit in a rack using an optional **RK-4PT** rack adapter.

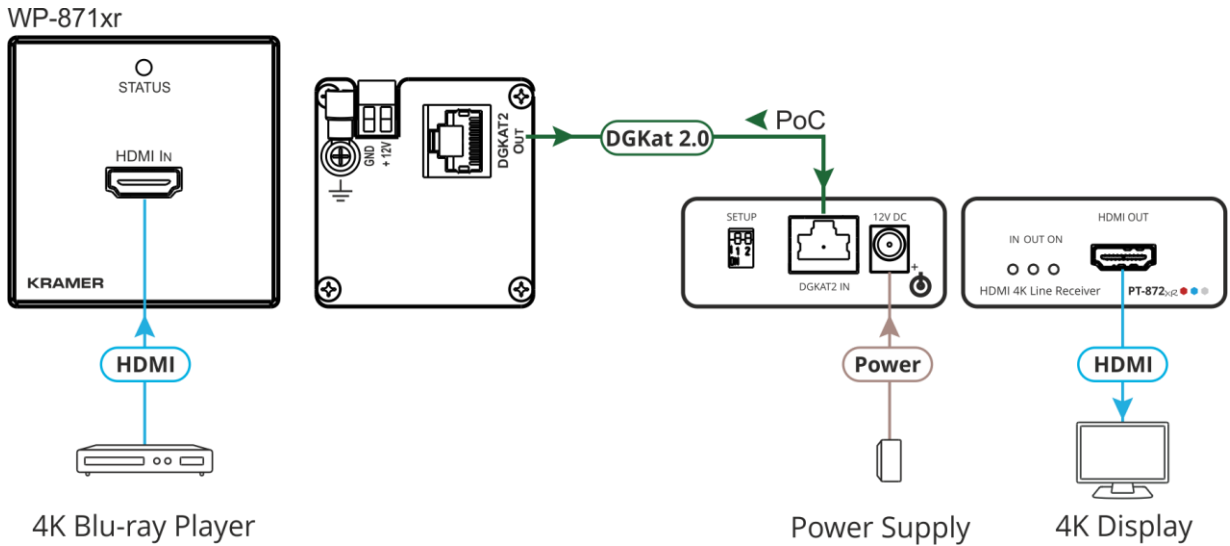


Step 4: Connect the inputs and outputs

Always switch OFF the power on each device before connecting it to your **PT-872xr**. For best results, we recommend that you always use Kramer high-performance cables to connect AV equipment to the **PT-872xr**.



We highly recommend using only Kramer UNIKAT cables with these products. If using 3rd party shielded CAT-6A cables, both ends of the shield must be soldered to the connectors for the products to function properly. Do not use any jumpers, unshielded wall plates or mid-span cable connections. These extenders are not compatible with HDBaseT technologies. Prior to signal extension, ensure that the extension line cable is lying straight and not coiled.



Step 5: Connect the power

Connect the 12V power adapter to the **PT-872xr** and plug it into the mains electricity. This device provides power to its counterpart via DGKat 2.0. Each device can provide or accept power over cable (PoC) via DGKat 2.0.

Safety Instructions



- Caution:** There are no operator serviceable parts inside the unit.
 - Warning:** Use only the Kramer Electronics power supply that is provided with the unit.
 - Warning:** Disconnect the power and unplug the unit from the wall before installing.
- See www.kramerav.com for updated safety information.

Technical Specifications

Inputs	1 DGKAT 2.0	On a female RJ-45 connector
Outputs	1 HDMI	On a female HDMI connector
Video	Transmitted Data Bandwidth	Up to 18Gbps (6Gbps per graphic channel)
	Max Resolution	3840x2160@60Hz (4:4:4) 24bpp at high compression level 4096x2160@60Hz (4:4:4) 24bpp at standard compression level
	Compliance	HDMI 2.0, HDCP 2.2, HDR 10
Reach Extension	We recommend that you use Kramer shielded cables to achieve optimum extension ranges.	
	Standard Compression Level	Up to 40m (130ft) at 4K@60Hz (4:4:4) Up to 70m (230ft) at 4K@60Hz (4:2:0) or full HD (1080p @60Hz 36bpp)
	High Compression Level	Up to 60m (200ft) at 4K@60Hz (4:4:4) Up to 70m (230ft) at 4K@60Hz (4:2:0) or full HD (1080p @60Hz 36bpp)
Controls	Front Panel	IN, OUT and ON LEDs
	Rear Panel	DIP-switches
Power	Consumption	12V DC, 600mA when coupled with a compatible transmitter
	Source	12V DC, 2A
Environmental Conditions	Operating Temperature	0° to +40°C (32° to 104°F)
	Storage Temperature	-40° to +70°C (-40° to 158°F)
	Humidity	10% to 90%, RHL non-condensing
Regulatory Compliance	Safety	CE, UL
	Environmental	RoHs, WEEE
Enclosure	Size	Pico Tool
	Net Dimensions (W, D, H)	6.2cm x 5.2cm x 2.5cm (2.4" x 2.05" x 1")
	Shipping Dimensions (W, D, H)	15.7cm x 12cm x 8.7cm (6.2" x 4.7" x 3.4")
	Net Weight	0.1kg (0.2lbs)
	Shipping Weight	0.52kg (1.2lbs) approx.
	Type	Aluminum
	Cooling	Convection ventilation
Accessories	Included	1 Power adapter, 1 power cord

Specifications are subject to change without notice at www.kramerav.com