



Scan for full manual

Galil 6-AW Quick Start Guide

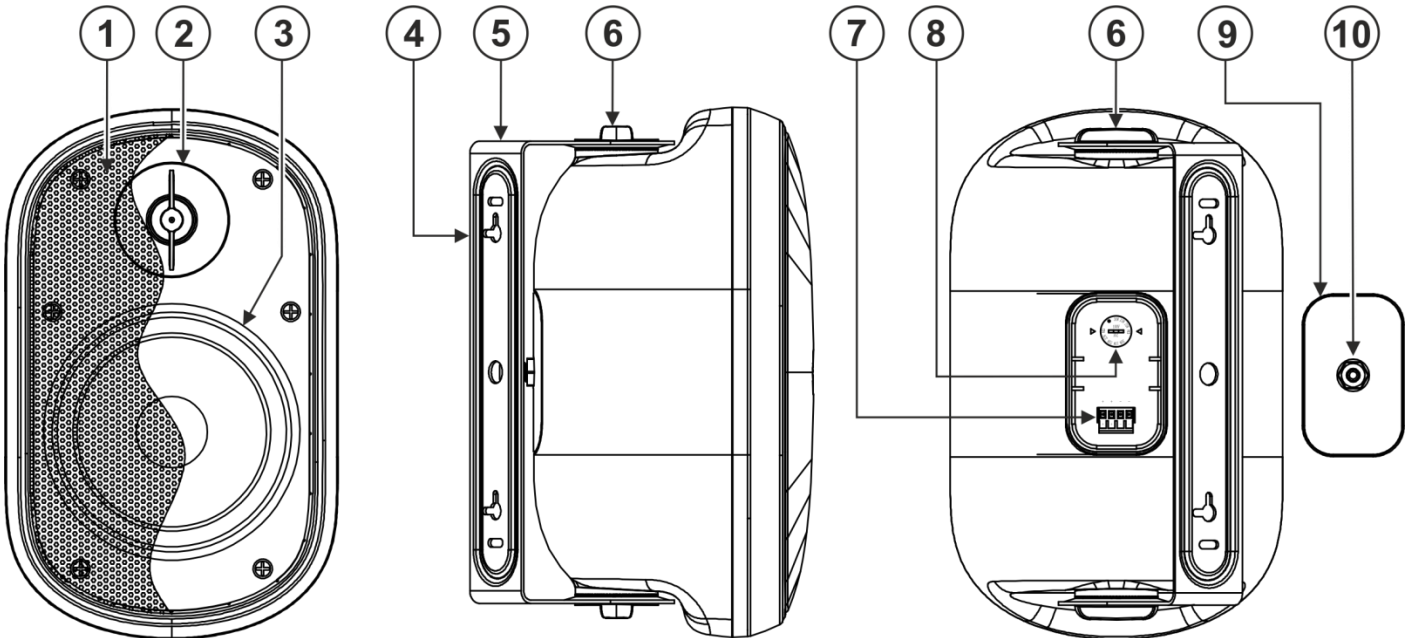
This guide helps you install and use your **Galil 6-AW** for the first time.

Go to [www.kramerav.com/downloads/Galil 6-AW](http://www.kramerav.com/downloads/Galil-6-AW) to download the latest user manual and check if firmware upgrades are available.

Step 1: Check what's in the box

- ✓ Galil 6-AW All Weather Speakers
- ✓ 4 knobs
- ✓ 2 cable glands
- ✓ 1 Quick start guide
- ✓ 2 mounting U-brackets
- ✓ 4 mounting screws
- ✓ 2 grommets
- ✓ 1 User manual

Step 2: Get to know your Galil 6-AW



#	Feature	Function
1	Speaker Grille	Protects the internal components of the speaker from foreign objects. Do not remove the grille from the speakers.
2	Tweeter	Emits high frequency sounds.
3	Woofer Driver	Emits low frequency sounds.
4	Keyhole Mounting Point	Use to attach the U-bracket to a wall.
5	U-Bracket	Use to mount the speaker onto a wall (allowing left/right rotation).
6	U-Bracket knobs (2x2)	Use to fasten the U-bracket to the speaker (two knobs per bracket).
7	Input and Output Terminal Block Connectors	One +, - pair for the input and one +, - pair to output to the next speaker in an array configuration.
8	Tap Selector	Adjust each speaker to the appropriate tap setting: For 70V: select 3.7W, 7.5W, 15W, or 30W; For 100V: select 7.5W, 15W, or 30W. Alternatively, select 8Ω to bypass the transformer when connecting directly to an amplifier without using the 70/100V array option.
9	Protective Cover	Protects speaker cables and tap selector.
10	Cable Gland/Grommet	Pass the speaker cable through the cable gland/grommet to protect the connectors from outdoor weather conditions.



Step 3: Choose the best location

Before installing the speakers:

- Experiment by placing the speakers in different locations before finally deciding on the most suitable location.
- Be sure that the wall type is appropriate for the mounting U-brackets, that is, either solid wood, bricks, concrete, hollow building blocks, or wood studs.
- Check that the mounting location is free of obstructions, such as electrical piping, AC ducts or water lines, and so on.

Step 4: Install the Galil 6-AW

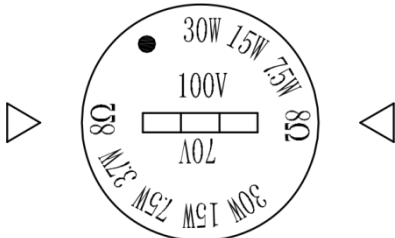
Always switch OFF the power on each device before connecting it to your **Galil 6-AW**. For best results, we recommend that you always use Kramer high-performance cables to connect AV equipment to **Galil 6-AW**.

To connect the Galil 6-AW to the amplifier:

1. Cut the dual color cable wires to similar lengths, leaving some excess wire to easily remove the speakers from the U-brackets.

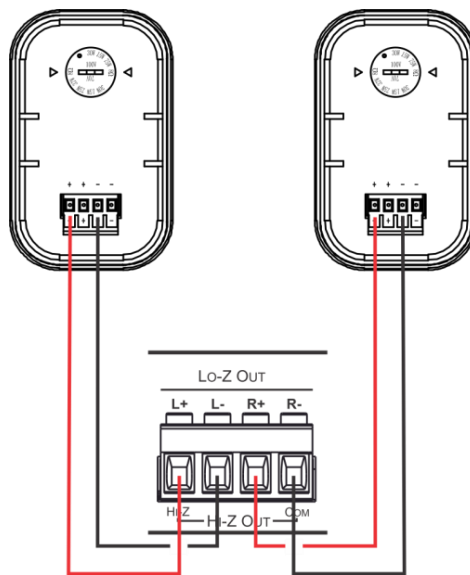
Note that for outdoor installations you need to use weatherproof cables.

2. Adjust the tap setting.



3. Connect the wires to the appropriate terminal block connectors on the speaker.
4. Mount the grommet/cable gland on the protective cover and pass the cables through the grommet/cable gland and the protective cover.

5. Close the tap selector and connector opening with the protective cover.
6. Connect the mounting U-brackets.
7. Connect the wires to the amplifier (left speaker wires to amplifier "L" terminal blocks and right speaker to amplifier "R" terminal blocks).



The following diagram displays the **Galil 6-AW** speakers connected to a recommended Kramer power amplifier (for example, **PA-120Z**):

