

TUBE SMA

WISPEAK – WIRELESS PRO AUDIO

Surface-mount adapter




PRODUCT OVERVIEW

WiSpeak TUBE SMA is a surface-mount adapter to rail, that allows installing a WiSpeak TUBE unit in locations where there is no available lighting rail, such as walls, ceilings, ect. Available in white finish (RAL 9010) and in black finish (RAL 9005)

KEY FEATURES

- Easy surface-mount for WiSpeak TUBE

ACCESSORIES AND COMPATIBLE DEVICES

- WiSpeak TUBE



WiSpeak TUBE

APPLICATIONS

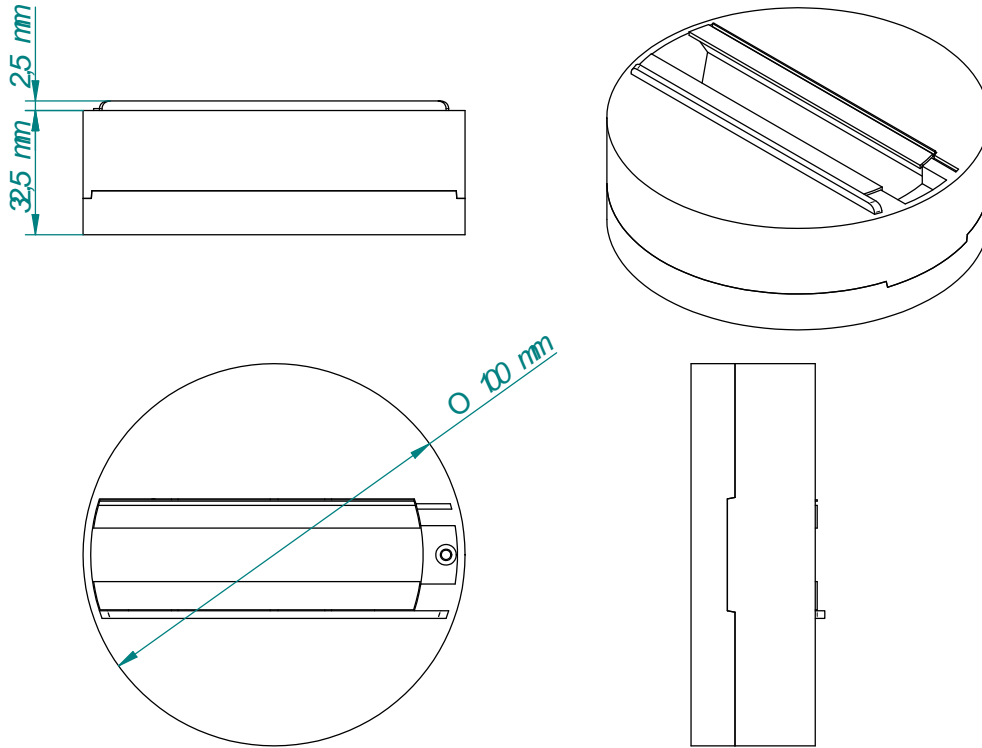
- Retail
- Hospitality
- Education
- Corporate
- Sports and wellness

NOTE: TUBE SMA is not compatible with WiSpeak CUBE.

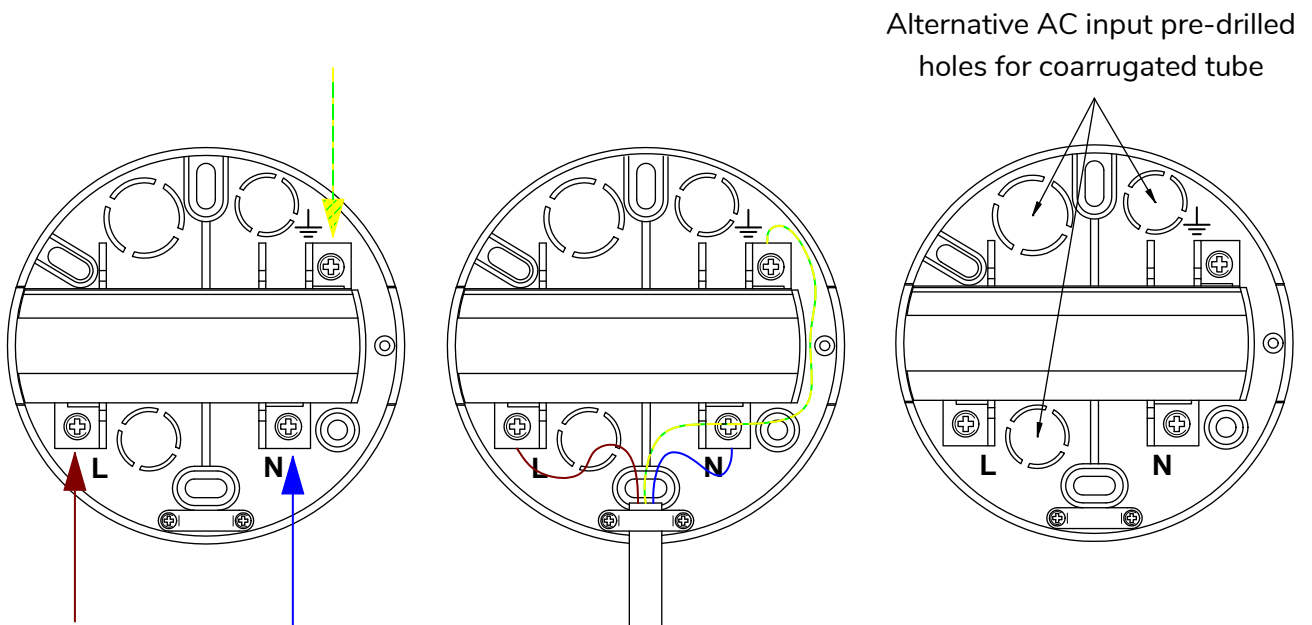
TECHNICAL SPECIFICATIONS

TUBE SMA	
Rating	Max. 250V, 10A
Pull strength	Max. 50N
Torque	Max. 2.5Nm
Dimensions	Ø100mm x 35mm / Ø3,95" x 1,38"
Weight	100 g / 0,22 lb
Color	White RAL 9010 / Black 9005

MECHANICAL DIAGRAM



POWER CONNECTION





All product characteristics are subject to variation due to production tolerances. **NEEC AUDIO BARCELONA S.L.** reserves the right to make changes or improvements in the design or manufacturing that may affect these product specifications.

Motors, 166-168 08038 Barcelona - Spain - (+34) 932238403 | information@ecler.com | www.ecler.com