



Scan for full manual

VP-440H2 Quick Start Guide

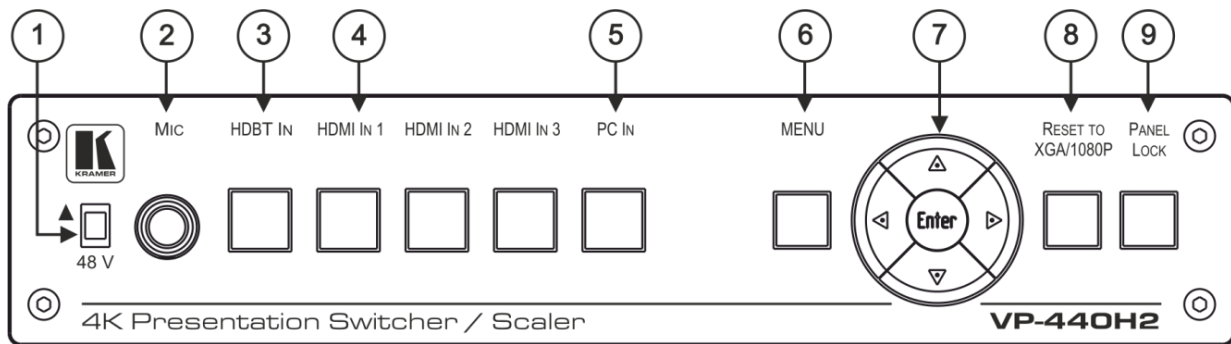
This guide helps you install and use your **VP-440H2** for the first time.

Go to www.kramerav.com/downloads/VP-440H2 to download the latest user manual and check if firmware upgrades are available.

Step 1: Check what's in the box

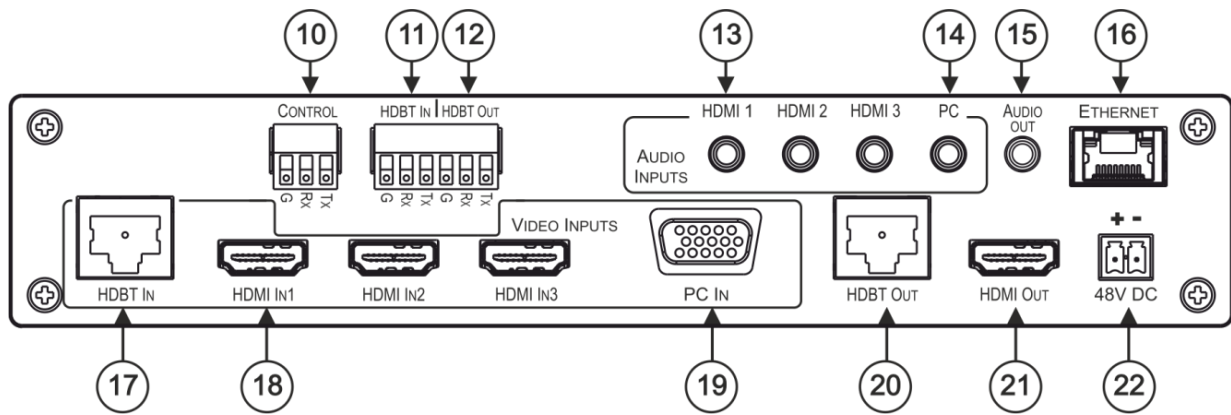
- ✓ **VP-440H2** 4K Presentation Switcher Scaler
- ✓ 1 Power cord
- ✓ 1 Bracket set
- ✓ 1 Power supply (48V DC)
- ✓ 1 Quick start guide
- ✓ 4 Rubber feet

Step 2: Get to know your VP-440H2



| # | Feature | Function |
|---|---------------------------|---|
| 1 | 48 V (▲) Slide Switch | Slide up (48V) to select a condenser type microphone; slide down to select a dynamic type microphone (we recommend that you slide down if a microphone is not connected to the VP-440H2). |
| 2 | MIC 6.3mm Jack | Connect to the microphone source. |
| 3 | Input Selector Buttons | HDBT IN Press to select the HDBT input. |
| 4 | | HDMI IN Press to select the HDMI input (from 1 to 3). |
| 5 | | PC IN Press to select the computer graphics input. |
| 6 | MENU Button | Displays the OSD menu. |
| 7 | Navigation Buttons | ◀ Press to decrease numerical values or select from several definitions. When not in the OSD menu, press to reduce the output volume. |
| | | ▲ Press to move up the menu list values. |
| | | ▶ Press to increase numerical values or select from several definitions. When not in the OSD menu, press to increase the output volume. |
| | | ▼ Press to move down the menu list. |
| | | ENTER Press to accept changes and change the SETUP parameters. |
| 8 | RESET TO XGA/1080p Button | Press and hold for about 5 seconds to toggle the output resolution between XGA and 1080p, alternatively. |
| 9 | PANEL LOCK Button | Press and hold for about 5 seconds to lock/unlock the front panel buttons. |





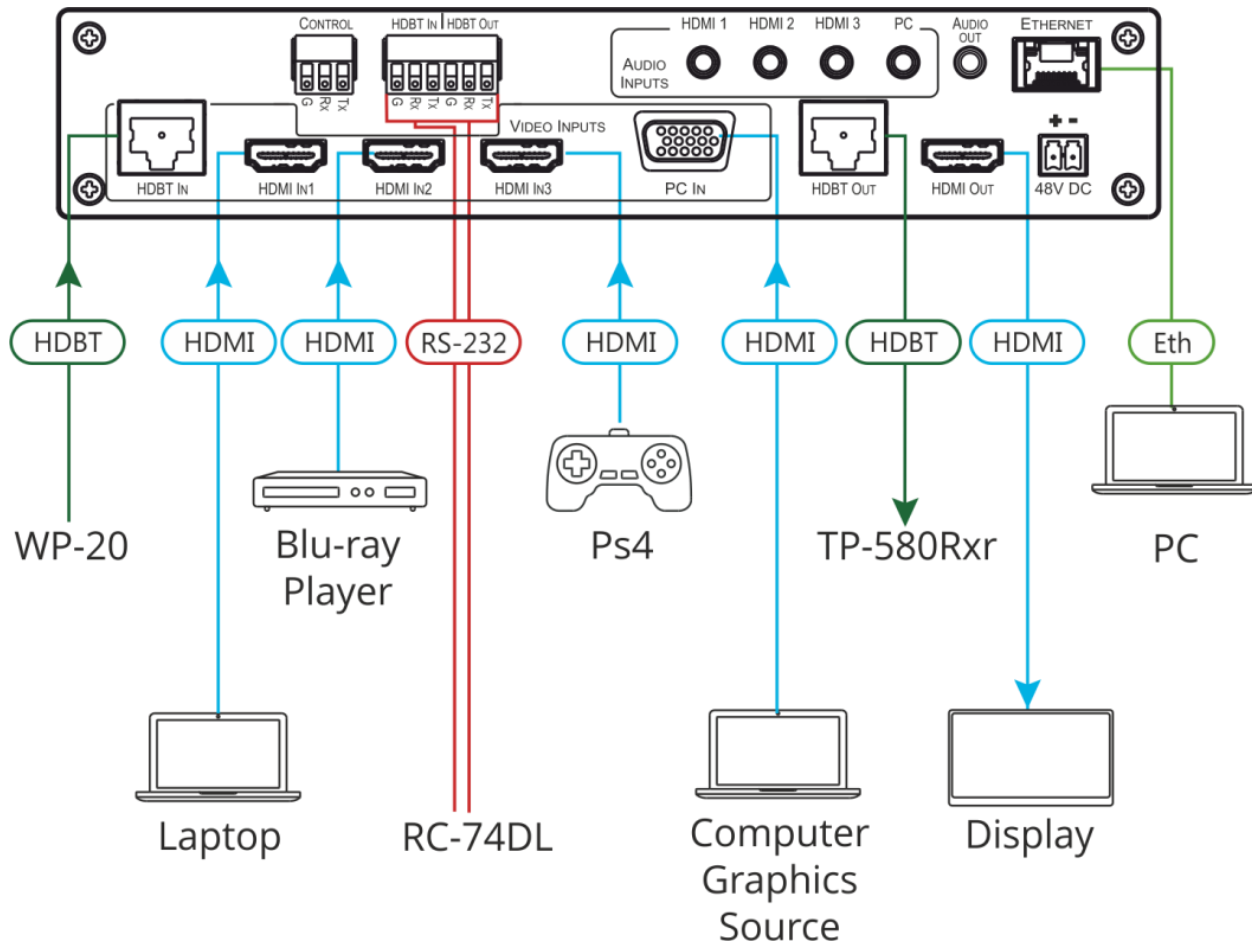
| # | Feature | Function | |
|----|--|--|---|
| 10 | CONTROL (Tx, Rx, GND) Terminal Block Connectors | Connect to the PC or the serial controller to control the device. | |
| 11 | HDBT IN (Tx, Rx, GND) Terminal Block Connectors | Connect to a controller to control peripheral devices that are connected to the HDBT transmitter (for example, a Blu-ray player connected to WP-20). | |
| 12 | HDBT OUT (Tx, Rx, GND) Terminal Block Connectors | Connect to a controller to control peripheral devices that are connected to the HDBT receiver (for example, a projector connected to TP-580Rxr). | |
| 13 | AUDIO INPUT | HDMI | Connect to the analog audio HDMI source (from 1 to 3). |
| 14 | Unbalanced Stereo 3.5 Mini Jack | PC | Connect to the analog audio computer graphics source. |
| 15 | AUDIO OUT 3.5 Mini Jack | | Connect to an unbalanced stereo audio acceptor. |
| 16 | ETHERNET Connector | | Connects to the PC or other controller through computer networking. |
| 17 | VIDEO INPUT Connectors | HDBT IN RJ-45 | Connect to an HDBT transmitter (for example, WP-20). Can supply PoE (up to 13W) to the transmitter. |
| 18 | | HDMI IN | Connect to the HDMI source (from 1 to 3). |
| 19 | | PC IN on 15-pin HD | Connect to the computer graphics source. |
| 20 | HDBT OUT RJ-45 Connector | | Connect to an HDBT receiver (for example, TP-580Rxr). |
| 21 | HDMI OUT Connector | | Connect to the HDMI acceptor. |
| 22 | 48V DC Power Terminal Block | | +48V DC connector for powering the unit. |

Step 3: Install VP-440H2

To mount the **VP-440H2** in a rack, use an **RK-1** rack adapter. Alternatively, attach the rubber feet to the underside of the **VP-440H2** and place it on a table.

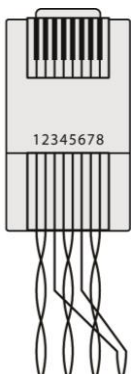
Step 4: Connect the inputs and outputs

Always switch OFF the power on each device before connecting it to your **VP-440H2**. For best results, we recommend that you always use Kramer high-performance cables to connect AV equipment to **VP-440H2**.



RJ-45 Pinout:

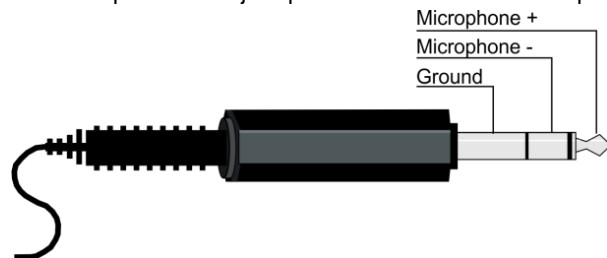
For the Ethernet connector, see the wiring diagram below



| PIN EIA / TIA 568B | |
|--------------------|----------------|
| PIN | Wire Color |
| 1 | Orange / White |
| 2 | Orange |
| 3 | Green / White |
| 4 | Blue |
| 5 | Blue / White |
| 6 | Green |
| 7 | Brown / White |
| 8 | Brown |

Microphone Pinout:

The microphone 6mm jack pinout for a condenser microphone



The microphone 6mm jack pinout for a dynamic microphone.



For optimum range and performance use the recommended Kramer cables available at www.kramerav.com/product/VP-440H2.

Step 5: Connect the power

Connect the 48V DC power adapter power cord to **VP-440H2** and plug it into the mains electricity.

Safety Instructions (DC)



Caution: There are no operator serviceable parts inside the unit.

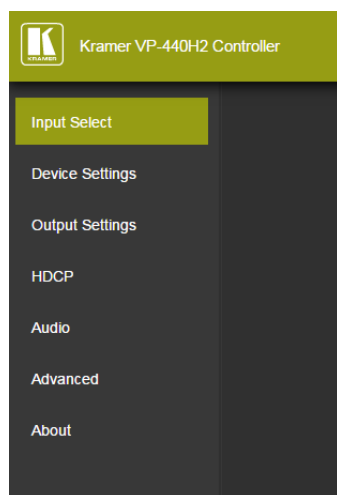
Warning: Use only the Kramer Electronics power supply that is provided with the unit.

Warning: Disconnect the power and unplug the unit from the wall before installing.

See www.KramerAV.com for updated safety information.

Step 6: Control and operate VP-440H2 via the front panel buttons and via

Web pages:



OSD Menu:

| Menu | Menu Items |
|----------|---|
| Picture | Adjust contrast brightness and color, and fine-tune the image. |
| Input | Select input source. |
| Output | Select method for 4K input to 4K output handling, image size and resolution. |
| Audio | Select audio source, audio parameters (bass, treble and so on), microphone settings and volume per input. |
| OSD | Set OSD position, transparency and so on. |
| Advanced | Select HDCP on each of the inputs and outputs, manage the EDID and define IP settings. |
| Info. | View device information. |
| Factory | Reset to factory default settings. |