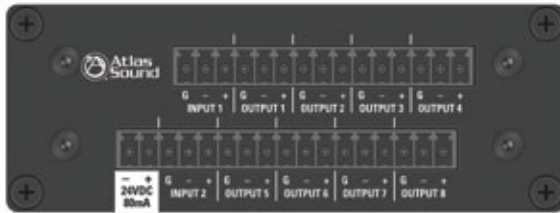




TSD-DA28
2x8 Balanced Line
Distribution Amplifier



1601 Jack McKay Blvd. • Ennis, Texas 75119 U.S.A.
Telephone: 800.876.3333 • Fax: 800.765.3435



Description

The Atlas Sound TSD-DA28 2x8 distribution amplifier is designed to provide clean, isolated signal distribution locally or to remote locations. The unit allows two independent balanced line level source inputs to be distributed to eight isolated variable outputs making it a perfect solution for applications including convention centers, houses of worship, restaurants/sports bars and industrial facilities. Isolation between outputs prevents crosstalk, removes miss matched input impedance concerns and allows for adjustable levels on each connected device. All I/O is via Phoenix style connectors for installation convenience and inputs may be easily paralleled for 1 in / 8 out configuration.

The TSD-DA28 is part of a full line of Atlas Sound Time Saving Devices. These compact (1.5" x 4" x 2.75") units are designed to solve some of the common audio system problems in the easiest and in the most efficient and cost-effective way. All models are made from high quality components and include removable individual I/O connectors for quick and precise wiring, separate ground terminals for all I/Os assuring secured connections, and removable level controls that can be replaced with tamper-proof security covers. The TSDs are highly efficient and meet Energy Star™ standards as one 24V DC power supply (available separately) can power multiple Atlas Time Saving Devices.

Features

- Two (2) Balanced Line Inputs
- Eight (8) Isolated Balanced Line Outputs
- Signal & Peak Indicator LEDs For Each Channel
- High Gain Output for Driving Long Balanced Lines
- Security Covers Included for All Front Panel Controls
- Multiple Mounting Configurations
- Cable Management System
- Separate Ground Connections
- Removable Phoenix Style I/O Connectors
- Meets Energy Star™ Standards
- Compact Chassis Design

Audio Applications

- Line Preamp
- Line Drive
- Zone Divider
- Broadcast

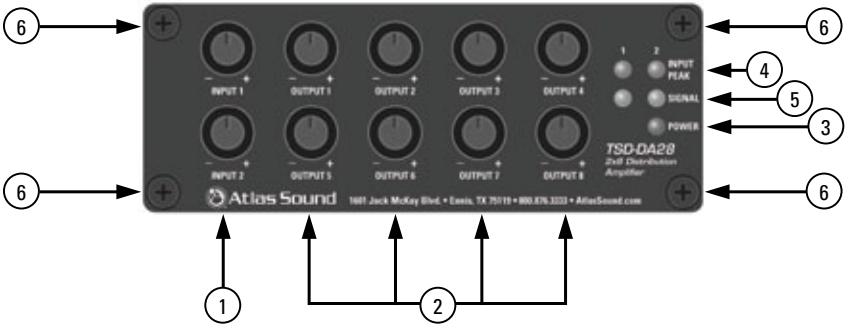
Installation

- Churches
- Restaurants
- Sports Bars
- Schools
- Industrial Facilities
- House of Worship





Front Panel Description



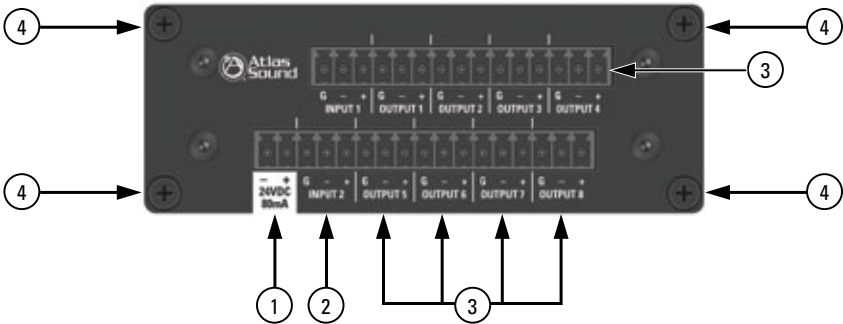
1. **Input Level Controls** - Adjust the gain of the source audio signal that is applied to the DA28 circuitry. Turn clockwise to increase the signal level and counter-clockwise to decrease it. **Note:** The Input Level Control knob can be removed and replaced with a supplied security cover to prevent unauthorized adjustment.
2. **Output Level Controls** - Adjust the level of each of the eight outputs using these individual controls. Turn clockwise to increase the signal level and counter-clockwise to decrease it. **Note:** The output level control knobs can be removed and replaced with supplied security covers to prevent unauthorized adjustment.
3. **Power LED** - Illuminates Blue when 24VDC is present.
4. **Input Peak LED** - Illuminates Red when the input signal reaches 3dBV below when signal clipping will occur. Occasional flashing is normal but if this indicator is continuously On, then reduce the input level using the input level control on the front panel.
5. **Signal LED** - Illuminates Green when the input signal strength reaches 25mV to verify a signal path.
6. **Bracket Retainer Points** - Each TSD includes two mounting brackets for securing the TSD to a cabinet or wall. Remove screws and align the bracket with the panel hole before firmly tightening the screws.



1601 Jack McKay Blvd. • Ennis, Texas 75119 U.S.A.
Telephone: 800.876.3333 • Fax: 800.765.3435



Rear Panel Description



TSD Input/Output connections are removable for easy system wiring. The connector has a 3.5mm pitch between pins.

- DC Power Input** - Each TSD that requires DC power comes with a 2 position connector for an external 24VDC power supply (sold separately). Because of the TSD's low power consumption, a single external power supply may power more than one TSD. Please refer to the specifications on current requirements in milliamps to match with the appropriate power supply. **Note:** It is acceptable to exceed the current requirements of the TSDs but NOT safe to use a power supply that is below the current requirement of the device.
- Balanced Line Input** - Connects to a balanced line level source. Your connection must be mated properly to the input connector or signal loss and/or noise may occur. **Note:** Unbalanced line level inputs can be inserted with proper wire configuration by connecting the (G) and (-) terminals together.
- Balanced Line Output** - Connections to provide output when an input signal is present for connection to balanced line level devices. Your output connections must be connected properly to the connectors or loss and/or noise may be introduced into the signal. **Note:** Unbalanced line level devices can be used with proper wire configuration by connecting the (G) and (-) terminals together.
- Cable Management Retainer Points** - Each TSD includes two cable retainer straps for securing the included cable management retainers. Remove one of the rear panel screws, align the panel hole with a retainer and firmly tighten the screws.



Atlas
Sound

1601 Jack McKay Blvd. • Ennis, Texas 75119 U.S.A.
Telephone: 800.876.3333 • Fax: 800.765.3435



Knob and Security Cover

All front panel level controls feature a removable knob that can be replaced with an included security cover. Follow these steps to prevent potentiometer damage or unwanted changes.

1. **Knob Installation** - Turn the potentiometer shaft fully counter-clockwise. Align the knob indicator to the lowest setting on the panel and the potentiometer shaft slot. Carefully press the knob onto the potentiometer shaft. Do not force or damage may occur to the potentiometer.
2. **Security Cover Installation** – Remove the knob from the panel and insert the cover. Do not force or damage may occur to the potentiometer. Small pliers may be required to remove the knobs.

Mounting

There are three ways to securely mount this TSD:

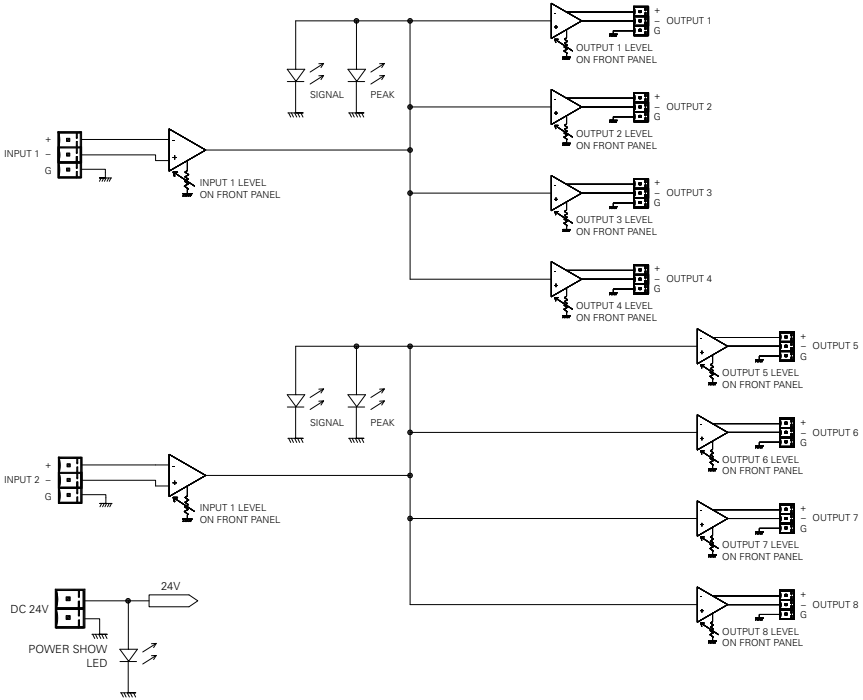
1. **Velcro™** - Each unit includes industrial grade Velcro™ with adhesive backing to adhere to any flat surface.
2. **Brackets** - Each unit includes two mounting brackets to secure to a cabinet or wall.
3. **Rack Mount Panel** - The optional TSD-RMK rack mount panel supports up to four TSDs in a 1RU space.

**Atlas
Sound**

1601 Jack McKay Blvd. • Ennis, Texas 75119 U.S.A.
Telephone: 800.876.3333 • Fax: 800.765.3435



Block Diagram



Specifications

Description	2 x 8 Line Distribution Amplifier
Chassis Color	Black
Chassis Material	Aluminum
Inputs	
Type	Qty 2, Balanced Line
Connection	Removable 3 Position Captive Screw 3.5mm Spacing
Impedance	10KΩ Balanced, 5KΩ Unbalanced
Line Input Level	1V (0dBV) Balanced = 2V (+6dBV) Balanced Output, Maximum Input 6V (15dBV)
Outputs	
Type	Qty 8, Balanced
Connection	Removable 3 Position Captive Screw 3.5mm Spacing
Impedance	300Ω Balanced, 150Ω Unbalanced
Line Output Level	1V (0dBV) In = 2V (+6dBV) Balanced, Maximum Output 6V (15dBV)



1601 Jack McKay Blvd. • Ennis, Texas 75119 U.S.A.
Telephone: 800.876.3333 • Fax: 800.765.3435



Controls

Input Level Control Qty 2, Removable Knobs with Security Covers
Output Level Control Qty 8, Removable Knobs with Security Covers

Indicators

Input Signal Green, 25mV On Threshold
Input Peak Red, -3dB Before Clip
Power Blue

Electrical

Frequency Response 20Hz - 20kHz (± 1 dB)
THD .06% @ 1kHz
Signal to Noise 90dB

Mounting

Velcro™ Industrial Grade, Included
Brackets Qty 2, Included
TSD-RMK Optional 1 RU Rack Mount Panel (Supports 4 TSD Units)
Cable Retainer Qty 2, Included

Power Requirements

Voltage 24VDC
Power Consumption 80mA
Power Consumption 1.92W
Dimensions H 1.5" (39mm) x W 4" (101mm) x D 2.75" (70mm)
Weight 6oz, .165kg

Accessories

TSD 24VDC Power Supplies
TSD-RMK 1 RU Rack Panel

Safety and Certifications

External Power Supply cUL, CE, RoHS, TUV



**Atlas
Sound**

1601 Jack McKay Blvd. • Ennis, Texas 75119 U.S.A.
Telephone: 800.876.3333 • Fax: 800.765.3435



Limited Warranty

All products manufactured by Atlas Sound are warranted to the original dealer/installer, industrial or commercial purchaser to be free from defects in material and workmanship and to be in compliance with our published specifications, if any. This warranty shall extend from the date of purchase for a period of three years on all Atlas Sound products, including SOUNDOLIER brand, and ATLAS SOUND brand products except as follows: one year on electronics and control systems; one year on replacement parts; and one year on Musician Series stands and related accessories. Additionally, fuses and lamps carry no warranty. Atlas Sound will solely at its discretion, replace at no charge or repair free of charge defective parts or products when the product has been applied and used in accordance with our published operation and installation instructions. We will not be responsible for defects caused by improper storage, misuse (including failure to provide reasonable and necessary maintenance), accident, abnormal atmospheres, water immersion, lightning discharge, or malfunctions when products have been modified or operated in excess of rated power, altered, serviced or installed in other than a workman like manner. The original sales invoice should be retained as evidence of purchase under the terms of this warranty. All warranty returns must comply with our returns policy set forth below. When products returned to Atlas Sound do not qualify for repair or replacement under our warranty, repairs may be performed at prevailing costs for material and labor unless there is included with the returned product(s) a written request for an estimate of repair costs before any nonwarranty work is performed. In the event of replacement or upon completion of repairs, return shipment will be made with the transportation charges collect.

EXCEPT TO THE EXTENT THAT APPLICABLE LAW PREVENTS THE LIMITATION OF CONSEQUENTIAL DAMAGES FOR PERSONAL INJURY, ATLAS SOUND SHALL NOT BE LIABLE IN TORT OR CONTRACT FOR ANY DIRECT, CONSEQUENTIAL OR INCIDENTAL LOSS OR DAMAGE ARISING OUT OF THE INSTALLATION, USE OR INABILITY TO USE THE PRODUCTS. THE ABOVE WARRANTY IS IN LIEU OF ALL OTHER WARRANTIES INCLUDING BUT NOT LIMITED TO WARRANTIES OF MERCHANTABILITY AND FITNESS FOR A PARTICULAR PURPOSE.

Atlas Sound does not assume, or does it authorize any other person to assume or extend on its behalf, any other warranty, obligation, or liability. This warranty gives you specific legal rights and you may have other rights which vary from state to state.

Service

Should your Atlas TSD require service, please contact the Atlas Sound warranty department at 1-877-689-8055, ext. 1274 to obtain an RA number.

Atlas Sound Tech Support can be reached at 1-800-876-3333.

Visit our website at www.AtlasSound.com to see other Atlas products

©2010 Atlas Sound L.P. All rights reserved. Atlas Sound is a trademark of Atlas Sound L.P.
All other trademarks are the property of their respective owners. ATSO03937 RevA 9/10



1601 Jack McKay Blvd. • Ennis, Texas 75119 U.S.A.
Telephone: 800.876.3333 • Fax: 800.765.3435