



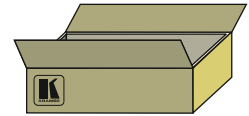
TP-590RXR Quick Start Guide

This guide helps you install and use your product for the first time. For more detailed information, go to <http://www.kramerav.com/manual/TP-590RXR> to download the latest manual or scan the QR code on the left.

Step 1: Check what's in the box

- ✓ TP-590RXR HDMI Line Receiver
- ✓ Power adapter (12V DC)

- ✓ 8 Rubber feet
- ✓ Quick start guide

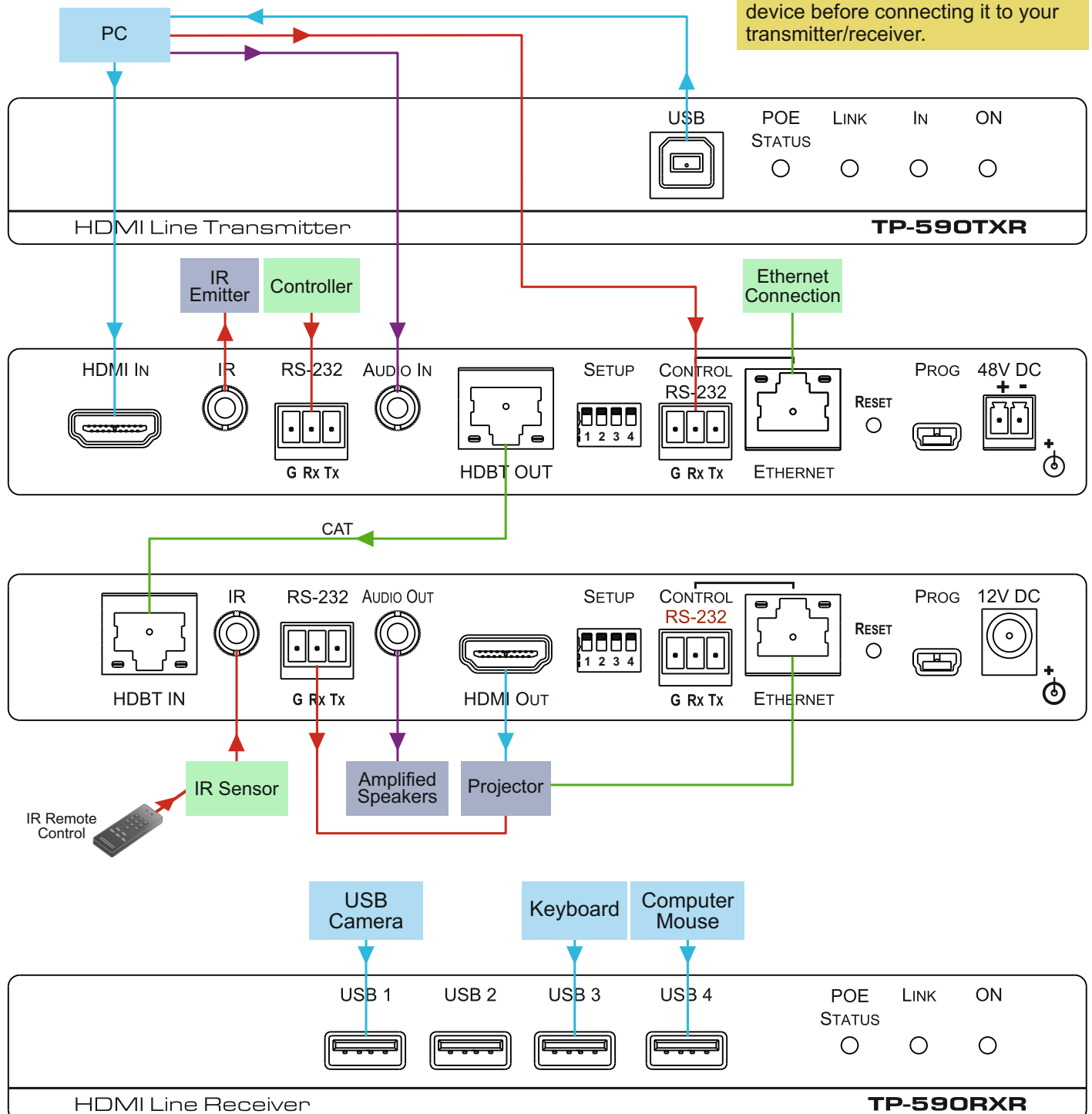


Step 2: Install the TP-590RXR

Mount the device in a rack (using the optional rack adapter available for purchase) or stick the feet to the underside and place it on a shelf.

Step 3: Connect the inputs and outputs

Always switch off the power to each device before connecting it to your transmitter/receiver.



For optimum range and performance use Kramer's **BC-DGKat623** and **BC-DGKat7a23** DGKat, and **BC-HDKat6a** HDBaseT cables.

Step 4: Set the DIP-switches

A DIP-switch that is down is on, up is off (default)

#	Feature	Function	DIP-switch
1	Extended Range	Enables extended range when used with either the TP-590TXR or other transmitters that support extended range	On—Enable Off—Disable
2	Reserved		
3	EDID Lock	Locks the current EDID and prevents automatic EDID acquisition	On—Lock EDID Off—Automatic EDID acquisition
4	Reserved		

Step 5: Connect the power

If the **TP-590RXR** is not connected to a **TP-590TXR**, connect the power adapter to the **TP-590RXR** and plug the adapter into the mains electricity.

TP-590RXR Quick Start (P/N: 2900-300500QS REV 1)



P/N: 2900-300500QS



Rev: 1