

ST680(P)



Display size  
**60"- 98"**



Max load  
**350lb (158kg)**

**SMARTMOUNT**

# Universal Tilt Wall Mount

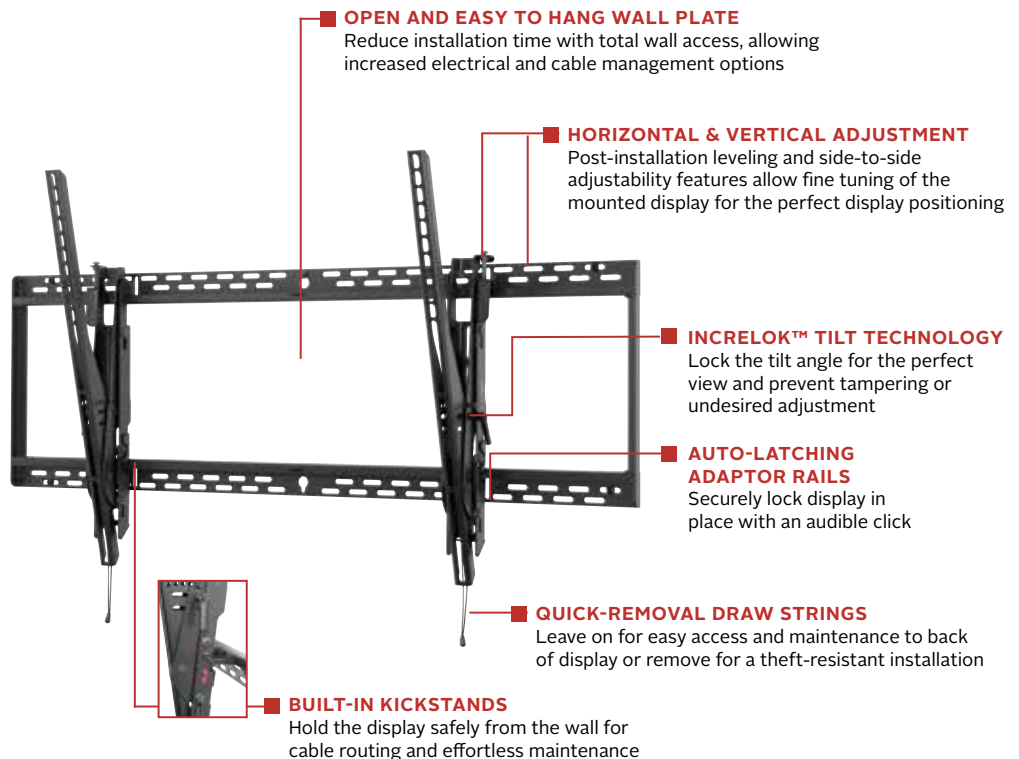
FOR 60" TO 98" DISPLAYS

Peerless-AV's SmartMount® Universal Tilt Wall Mount delivers an ultra-slim profile designed to hold large displays up to 350lb. Installation and maintenance are made easy with the ST680's robust feature set. Auto-latching adaptor rails automatically secure the display without the use of a tool. The mount's built-in kickstand holds the display safely from the wall during cable routing, while the open wall plate allows for increased electrical and cable management options. Horizontal and vertical display adjustment allow for quick fine-tuning of the mounted display.

*The ST680(P) reduces installation time and provides the most stable mounting solution for large interactive displays.*

## Additional Features

- ✓ Universal mount fits displays with mounting patterns up to 1061 x 650mm (41.76" W x 25.59" H)
- ✓ Adjustable up to 15° of forward tilt and -5° of backward tilt for the optimal viewing angle
- ✓ Optional IncreLok™ feature offers fixed tilt angles of -5°, 0°, 5°, 10°, 15°
- ✓ Easy-Grip™ ratcheting handle locks the display into place
- ✓ Easy hang wall plate allows a bolt to be pre-installed to ease wall plate installation
- ✓ Lateral display adjustment up to 19.25" (489mm)
- ✓ 1" of post-installation vertical adjustment provides flexibility in the installation
- ✓ Includes fastener pack with all necessary mounting and display attachment hardware (including M10)



+15°/-5° of tilt for versatile viewing angles



Comes in color packaging with included installation hardware and easy to follow instructions.



Please visit [peerless-av.com/en-us/patents](http://peerless-av.com/en-us/patents) for patent information.

info@peerless-av.com  
peerless-av.com

**peerless-AV**®

<b>ST680P</b>	SmartMount® Universal Tilt Wall Mount for 60" to 98" Displays - standard models
<b>ST680</b>	SmartMount® Universal Tilt Wall Mount for 60" to 98" Displays - security models

**Product Specifications**

	DIMENSIONS (W x H x D)	PRODUCT WEIGHT	LOAD CAPACITY	FINISH	AVAILABLE COLORS
<b>ST680(P)</b>	45.75" x 26.50" x 3.38"-10.58" (1162 x 673 x 86-269mm)	19.13lb (8.7kg)	350lb (158kg)	Scratch resistant fused epoxy	Semi-gloss black

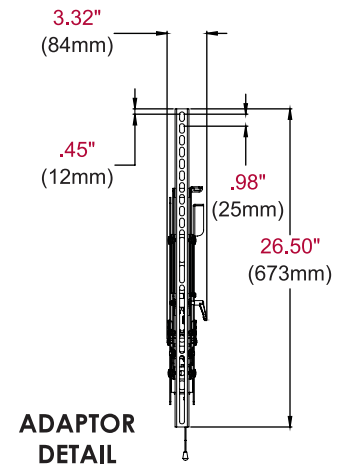
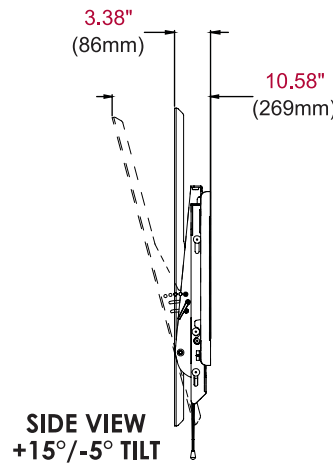
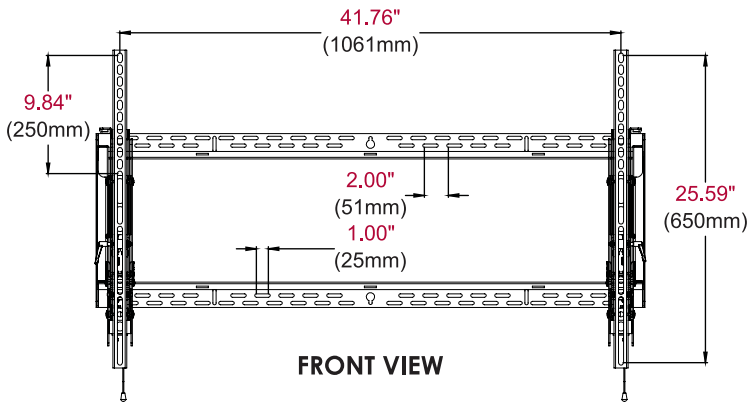
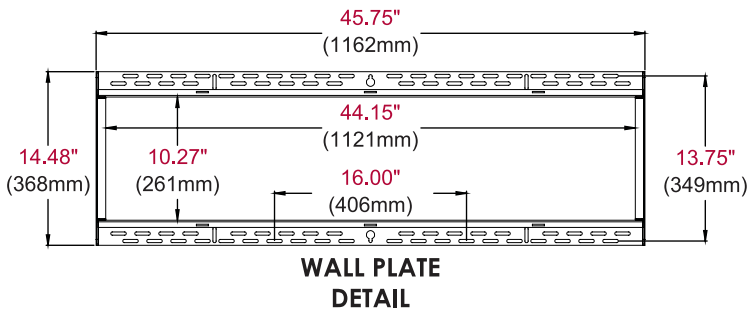
**Package Specifications**

	PACKAGE SIZE (W x H x D)	PACKAGE SHIP WEIGHT	PACKAGE UPC CODE	PACKAGE CONTENTS	UNITS IN PACKAGE
<b>ST680(P)</b>	46.70" x 4.70" x 15.40" (1185 x 120 x 390mm)	22.13lb (10.04kg)	ST680: 735029242314 ST680P: 735029242338	Wall mount, wall and display installation hardware, installation instructions	1

**Accessories**

**ACC615:** Metal Stud Fastener Kit

All dimensions = inch (mm)



**Architect Specifications**

The Smartmount® Universal Tilt Wall Mount shall be a Peerless-AV model ST680(P) and shall be located where indicated on the plans. Assembly and installation shall be done according to instructions provided by the manufacturer.

Visit [peerless-av.com](http://peerless-av.com) to see the complete line of AV solutions from Peerless-AV, including outdoor displays, wireless, kiosks, digital audio, display mounts, projector mounts, carts/stands, and a full assortment of accessories.

**Peerless-AV**  
2300 White Oak Circle  
Aurora, IL 60502 USA  
**(800) 865-2112**  
**(630) 375-5100**  
**Fax: (800) 359-6500**

**Peerless-AV Europe**  
Unit 3 Watford Interchange  
Colonial Way, Watford  
Herts, WD24 4WP  
United Kingdom  
**+44 (0) 1923 200100**  
**Fax: +44 (0) 1923 200101**

**Peerless-AV de México**  
Ave de las Industrias 413  
Parque Industrial Escobedo  
Escobedo, N.L.,  
Mexico 66050  
**+52 (81) 8384-8300**  
**Fax: +52 (81) 8384-8360**

