

SR560M
SR560M-AB
SR560M-AW



Display size
32"-75"



Max load
150lb (68.2kg)
display
10lb (4.55kg)
per shelf

SMARTMOUNT® Flat Panel Cart

FOR 32" TO 75" DISPLAYS

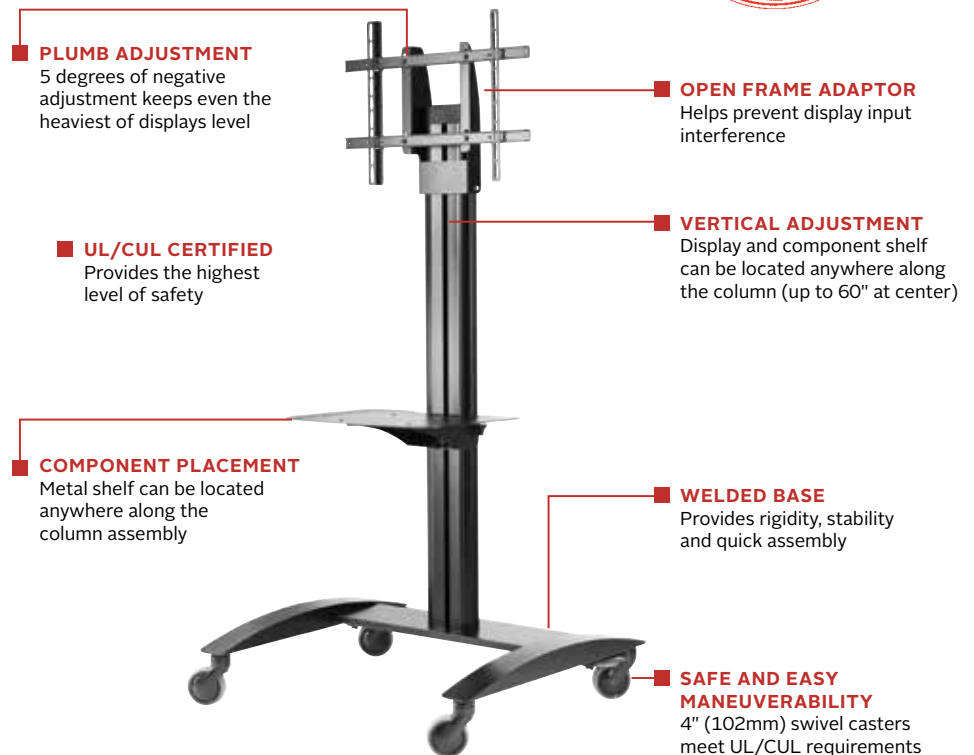
The SR560M SmartMount® Flat Panel Cart has been redesigned to include all of the features you may need, making it perfect for any application. Mobility, appealing design, display height adjustment and a pre-assembled base ensure quick assembly, while providing a rigid, but attractive structure that fits into any décor. The 4" castors make it easy to move from room to room while the UL® certification ensures you that it can be done with safety in mind.

Designed to meet UL® certifications, the SR560M incorporates safety and security, ensuring you get the job done correctly.



Additional Features

- ✓ Display and component shelf can be located anywhere along the column for perfect component placement and viewing height (up to 60" at center)
- ✓ Integrated cable management protects, contains and conceals cables for a clean, professional installation
- ✓ Maneuvers easily on 4" (102mm) swivel casters, two locking
- ✓ Pre-assembled base provides rigidity, stability and quick assembly
- ✓ Textured black powder coat finish helps hide finger prints and dust
- ✓ Open frame display adaptor helps prevent display input interference
- ✓ Universal display adaptor fits mounting patterns from 200 x 200mm to 600 x 400mm and allows mounting in landscape or portrait orientation



*Antimicrobial protection is limited to the treated article and does not protect a user against disease causing bacteria. Always clean products thoroughly after each use. Visit agion-tech.com for more details.



Cable management allows cables to enter or exit anywhere along the column



RoHS



SR560M-AB/AW:



SR560M(-AB)(-AW) SmartMount® Flat Panel Cart for 32" to 75" Displays

Product Specifications

| | DIMENSIONS (W X H X D) | PRODUCT WEIGHT | LOAD CAPACITY | FINISH | AVAILABLE COLORS |
|------------------|--------------------------------------------------|----------------|---------------------------------------------------|----------------------|-------------------------------------------------------------------------------------|
| SR560M(-AB)(-AW) | 34.95" x 68.38" x 29.00" (888 x 1736 x 737mm) | 66lb (30kg) | 150lb (68.2kg) display 10lb (4.55kg) per shelf | Textured Powder Coat | SR560M: Black SR560M-AB: Antimicrobial* Black SR560M-AW: Antimicrobial* White |

*Antimicrobial protection is limited to the treated article and does not protect a user against disease causing bacteria. Always clean products thoroughly after each use. Visit agion-tech.com for more details.

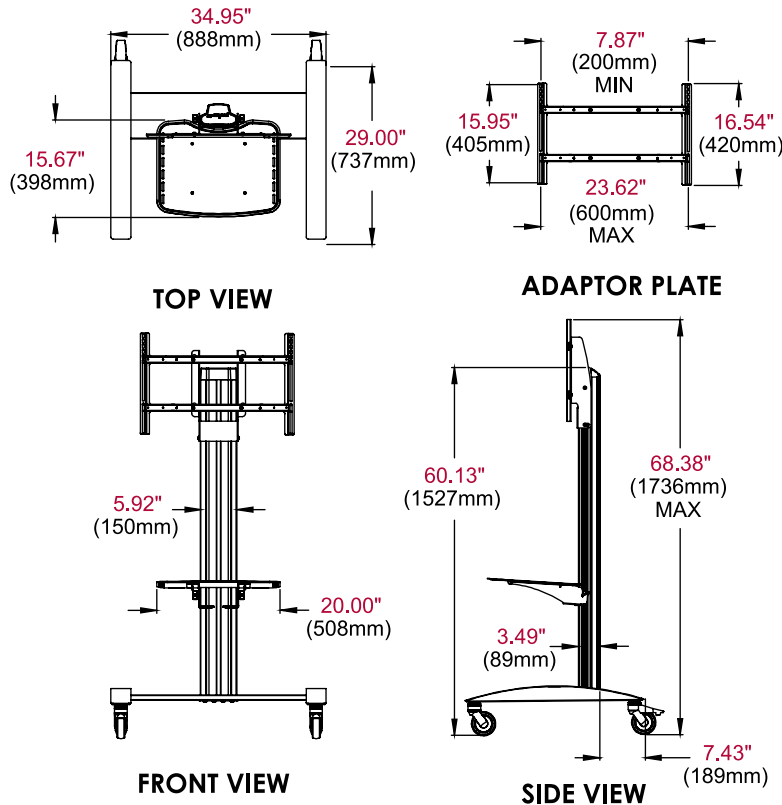
Package Specifications

| | PACKAGE SIZE (W x H x D) | PACKAGE SHIP WEIGHT | PACKAGE UPC CODE | PACKAGE CONTENTS | UNITS IN PACKAGE |
|------------------|-------------------------------------------------|---------------------|----------------------------------------------------------------------------|------------------------------------------------------------------------------------------------------------------------------------------------------------|------------------|
| SR560M(-AB)(-AW) | 47.50" x 7.25" x 38.50" (1207 x 184 x 978mm) | 79lb (35.9kg) | SR560M: 735029247715 SR560M-AB: 735029281771 SR560M-AW: 735029281788 | Assembled base, Aluminum column, Universal display adaptor, Metal component shelf, (2) swivel casters, (2) locking swivel casters, hardware & instructions | 1 |

Accessories

- ACC310: Feet Accessory
- ACC316: Safety Belt
- ACC320: Electrical Outlet Strip with Cord Wrap
- ACC-BPR: Bumper Accessory for legs
- ACC-GS1: Tempered Glass Shelf
- ACC-LA: Laptop Arm
- ACC-MS: Metal Shelf
- ACC-VCS: Video Conferencing Camera Shelf
- DSX750: Media Player Storage

All dimensions = inch (mm)



Architect Specifications

The SmartMount® Flat Panel Cart shall be a Peerless-AV model SR560M(-AB)(-AW) and shall be located where indicated on the plans.. Assembly and installation shall be done according to instructions provided by the manufacturer.

Visit peerless-av.com to see the complete line of AV solutions from Peerless-AV, including outdoor displays, wireless, kiosks, digital audio, display mounts, projector mounts, carts/stands, and a full assortment of accessories.

Peerless-AV
2300 White Oak Circle
Aurora, IL 60502 USA

(800) 865-2112
(630) 375-5100
Fax: (800) 359-6500

Peerless-AV Europe
Unit 3 Watford Interchange
Colonial Way, Watford
Herts, WD24 4WP
United Kingdom
+44 (0) 1923 200100
Fax: +44 (0) 1923 200101

Peerless-AV de México
Ave de las Industrias 413
Parque Industrial Escobedo
Escobedo, N.L.,
Mexico 66050
+52 (81) 8384-8300
Fax: +52 (81) 8384-8360

