

RG A10

Installation Manual



www.audac.eu

Introduction

Omnidirectional outdoor FM antenna

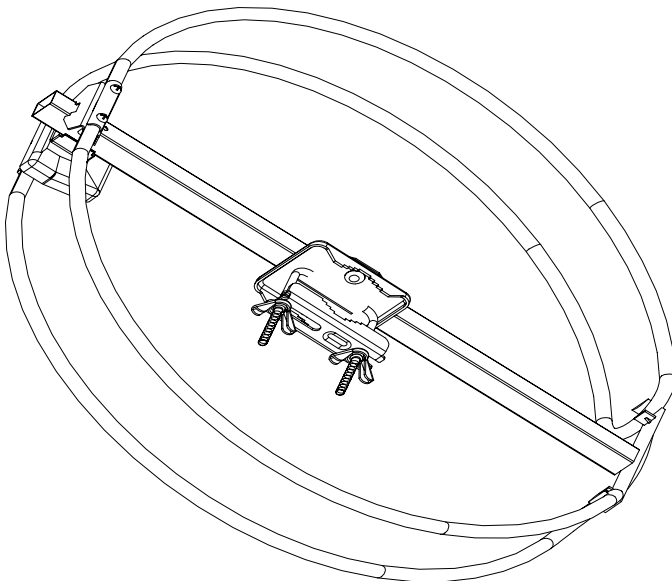
The RGA10 is an omnidirectional outdoor FM antenna designed to be used in all kinds of installations, providing the best reception of FM radio signals where any kind of radio tuner is used.

The aluminum structure of the antenna ensures resistance against all weather conditions and ensures it will last for many years in highly demanding outside environments.

The attachment clip ensures a quick and simple installation of the antenna around any kind of poles with a diameter between 30 and 50 mm. While the connection is made by means of an included waterproof F–connector.

Features:

- Omnidirectional
- Made out of aluminum
- Easy to install
- Best reception
- 30–50 mm mounting clip
- F–connector with waterproof boot included

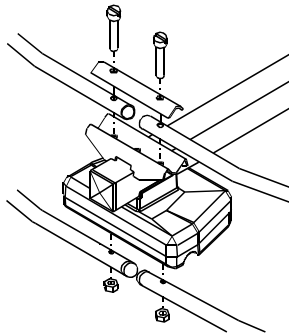


Instructions

Assembling and connecting

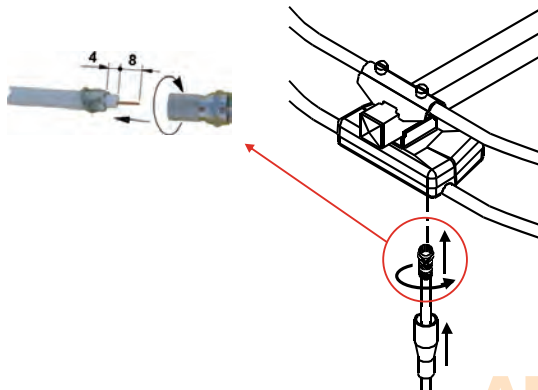
The RGA10 consists of three parts, two radials and a middle section, which should be assembled together. The two radials are bended in a circular shape. To attach the radials to the middle section, the two bolts on the top side and the two nuts on the bottom side of the middle section need to be removed.

The next step is to place the two radials in their correct position by placing them into the sockets, place the bolts and washers back into their position, and tighten the screws to fix them.



It can be attached to a pole with a diameter of 30–50mm, by means of the mounting clip in the center position of the RGA10.

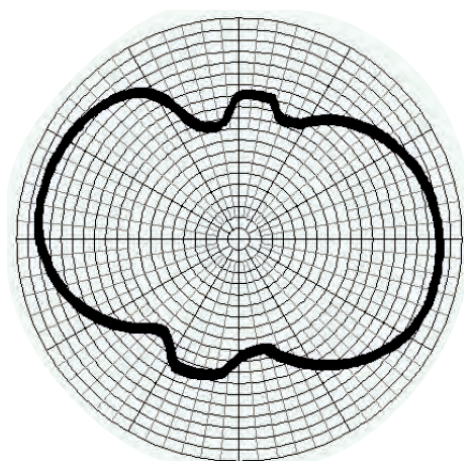
To connect a coaxial cable to the RGA10, the coaxial cable should be stripped as shown in the figure below. Then slide the waterproof boot over the cable outer jacket, and assemble the F–connector to the cable end. Afterwards, the connector should be attached to the connection terminal on the bottom side of the antenna.



Additional information

Technical specifications

Frequency range	87.5 ~ 108 MHz
Impedance	75 Ohm
Antenna gain	4 dB
Horizontal / Vertical beamwidth	360°
Dimensions	Ø 450 x 80 mm
Weight	590 g
Mounting	30 – 50 mm pole
Construction	Aluminum
Connector	F–connector (included)



Antenna sensitivity diagram