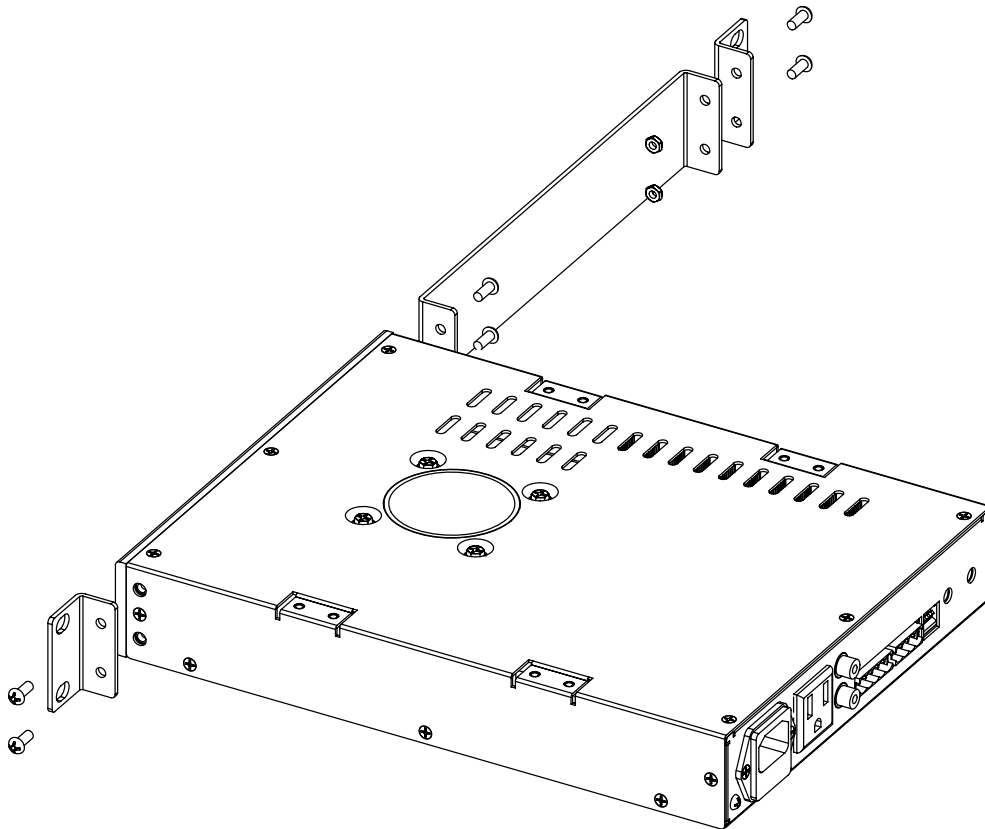




Rack Mount Kit for Amplifier Model PA702

Configuration #1 - Mounting for one PA702.

1. Remove amplifier from electrical source.
2. Remove the four feet.
3. Align and secure the chassis extension plate to a rack mount ear with the enclosed screws and nuts.
4. Locate the two open holes on each side of the amp located towards the front panel.
5. Align the enclosed rack mount ear and extension assembly to the chassis holes located in step 4.
6. Use the enclosed chassis screws to attach the rack ears and extension assembly to the chassis. Secure firmly, do not over tighten. Repeat step for opposite chassis side.
7. Disregard extra pieces.
8. Ready for rack installation. **Note: It is important the amplifiers have the proper clearance around it for proper heat dissipation. Always allow at least 1.75" around the amplifier for to assure safe operation. Never mount an amplifier in an enclosed air tight rack. All racks must have air vents on all sides or forced air cooling to assure proper heat dissipation.**



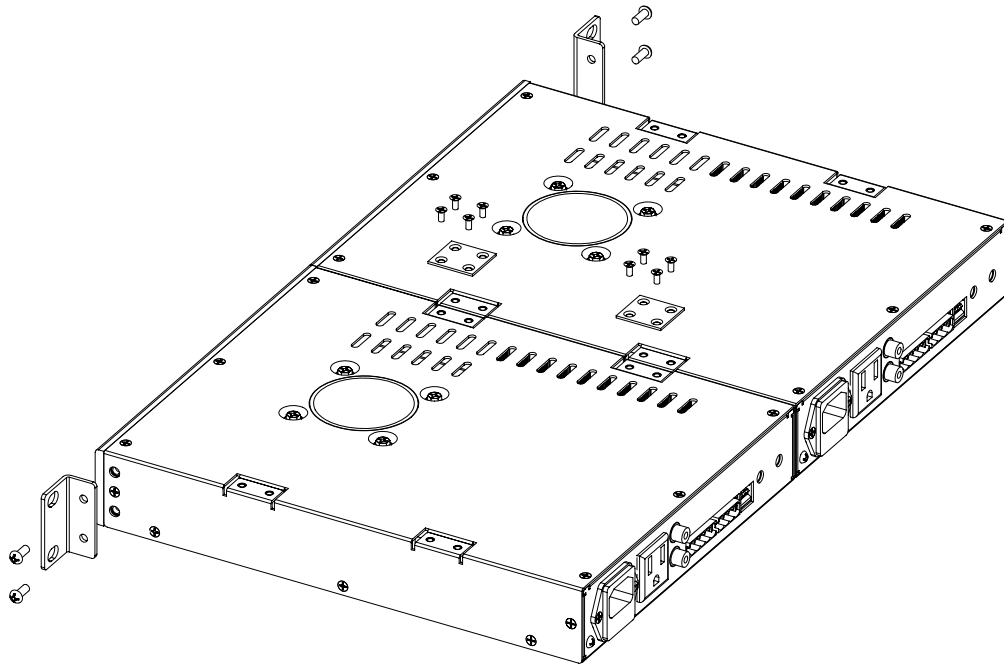
Specifications are subject to change without notice



AtlasSound.com

**Configuration #2 - Mounting of two PA702 amplifiers.**

1. Remove amplifier from electrical source.
2. Remove the four feet.
3. Align and secure two chassis joiner plates with the enclosed screws to the top of units. Note: Must install both plates, one towards the front and one towards the back.
4. Locate the two open holes on each side of the amp located towards the front panel.
5. Align the enclosed rack mount ear to the chassis holes located in step 2.
6. Use the enclosed chassis screws to attach the rack ears to the chassis. Secure firmly, do not over tighten. Repeat step for opposite chassis side.
7. Disregard extra pieces.
8. Ready for rack installation. **Note: It is important the amplifiers have the proper clearance around it for proper heat dissipation. Always allow at least 1.75" around the amplifier for to assure safe operation. Never mount an amplifier in an enclosed air tight rack. All racks must have air vents on all sides or forced air cooling to assure proper heat dissipation.**

**PA702-RMK Kit Contains:**

- Qty 2 Rack Ears
- Qty 4 Rack Ear Chassis Screws
- Qty 1 Rack Extension Plate for Single Unit mounting
- Qty 2 Screws to combine Extension Plate to Rack Ear
- Qty 2 Nuts for Screws to secure screw to Extension Plate and Rack Ear
- Qty 2 Top Joiner Plates
- Qty 8 Top Joiner Plate Screws

Specifications are subject to change without notice



AtlasSound.com