

MCS 221

Delegate Microphone Unit

Order # 486.043

FEATURES

- Fixed gooseneck microphone with LED ring
- Microphone button with LED
- Integrated loudspeaker, voice-equalised
- Headphone socket, mini jack (3.5 mm)
- Integrated limiter to compensate variations in speaking distance
- Button or voice controlled activation of the microphone
- Individual special functions can be adjusted with the configuration switches at the bottom of the housing
- Single-cable connection via Renk connectors in any sequence
- Ergonomic design
- Housing with non-slip rubber pads



DESCRIPTION

The MCS 221 delegate microphone unit provides a fixed gooseneck microphone. The audio is transmitted clearly and precisely via the microphone and a loudspeaker integrated in the microphone unit in optimal audio quality. Individual special functions can be selected with the configuration switches at the bottom of the housing, so that each microphone unit can be configured as a sub-chairman unit for instance. Depending on the position of the switches the microphone unit is counted to the number of maximum open delegate microphone units (NOM limit) or not, the voice operation is allowed or not, the microphone unit can be turned on in all operating modes or can be cleared, the microphone button is active in the voice operation or locked. Depending on the operating mode selected with the chairman unit, the microphone can be turned on via the microphone button or voice-controlled. The microphone unit is connected in a daisy chain. A headphone can be connected to the jack socket on the rear.

SUPPLIED ACCESSORIES

CA 1802 Connecting cable, approx. 2.5 m long Order # 486.345

TECHNICAL SPECIFICATIONS

Current consumption
 with microphone turned on 77 mA
 reproduction
 without audio signal 36 mA
 reproduction
 with audio signal approx. 50 mA
 Loudspeaker wide-band, voice-equalised
 Ambient temperature 0 °C to +40 °C
 (at a humidity of 90%)
 Dimensions without gooseneck
 (W x H x D) 170 x 54 x 143 mm
 Weight 1070 g

OPTIONAL ACCESSORIES

CA 1802 Connecting cable, approx. 2.5 m long Order # 486.345
 CA 1805 Connecting cable, 5 m long Order # 486.353
 CA 1810 Connecting cable, 10 m long Order # 486.361
 CA 1820 Connecting cable, 20 m long Order # 486.388
 CA 1800 Connecting cable, sold by metre without connector Order # 486.396
 CA 1813 T-adaptor Order # 486.612
 CA 1835 Connector, 8-pin Renk Order # 486.639

Germany

beyerdynamic GmbH & Co. KG
 Theresienstr. 8 · 74072 Heilbronn – Germany
 Tel. +49 (0)7131 / 617-0 · Fax +49 (0)7131 / 617-224
 info@beyerdynamic.de · www.beyerdynamic.de

United States

beyerdynamic Inc. USA
 56 Central Ave. · Farmingdale, NY 11735
 Tel. +1 (631) 293-3200 · Fax +1 (631) 293-3288
 salesUSA@beyerdynamic.com · www.beyerdynamic.com

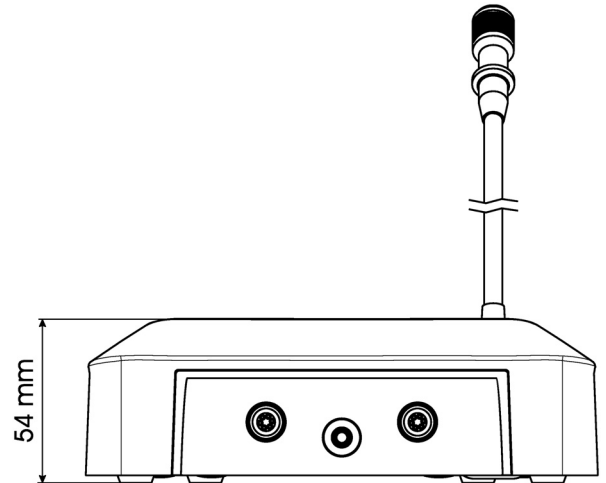
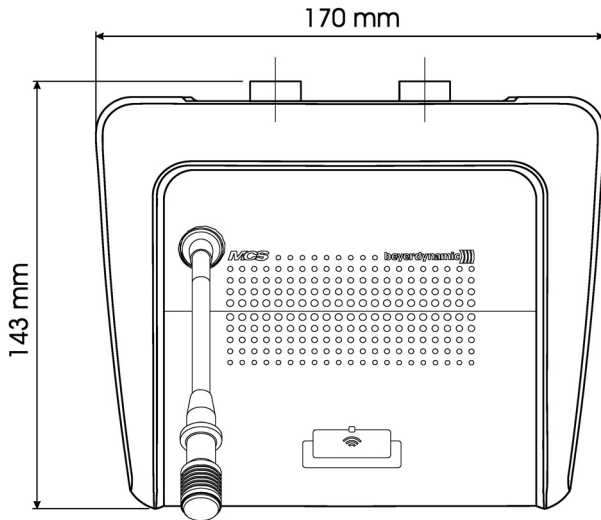
Great Britain

beyerdynamic U.K. Ltd.
 17 Albert Drive · Burgess Hill RH15 9TN
 Tel. +44 (0)1444 / 258258 · Fax +44 (0)1444 / 258444
 sales@beyerdynamic.co.uk · www.beyerdynamic.co.uk

MCS 221



DIMENSIONS



ARCHITECT'S SPECIFICATIONS

The delegate microphone unit shall provide a fixed gooseneck microphone with LED ring. Depending on the operating mode, the microphone shall be activated via the microphone button or voice-controlled. The voice-equalised loudspeaker shall provide optimal intelligibility of speech. The elapsed speech time shall feature an acoustic warning signal. The individual control functions shall be selectable via configuration switches at the bottom of the housing. The cables shall be connected in a bus system to Renk sockets. The headphone socket shall be a mini jack socket (3.5 mm). A limiter shall be integrated. The microphone unit shall be powered with the MCS 20 power supply unit via bus system. The dimensions without gooseneck microphone shall be (W x H x D) 170 x 54 x 143 mm. The weight shall be 1070 g.

Manufacturer beyerdynamic
Type MCS 221