



OPERATING INSTRUCTIONS

Synexis

Wireless Tour Guide System

1.	Important safety instructions	Page	3
1.1	Synexis C8, C10, C30 chargers.	Page	3
1.2	Synexis TS8 stationary transmitter, Synexis C8, C10, C20, C30, CHP chargers.	Page	4
1.3	Synexis TH8 handheld transmitter, Synexis TP8 beltpack transmitter, Synexis RP8 beltpack receiver.	Page	5
1.4	NiMH rechargeable batteries, batteries.	Page	5
2.	Synexis RP8 beltpack receiver.	Page	6
2.1	Controls and indicators	Page	6
2.2	How to insert/replace the batteries.	Page	6
2.3	Battery status display	Page	7
2.4	Headphone connection	Page	7
2.5	How to turn the receiver on/off and control the volume	Page	7
2.6	How to select and lock a channel	Page	7
2.7	How to display the frequency.	Page	7
3.	Synexis TH8 handheld transmitter	Page	8
3.1	Controls and indicators	Page	8
3.2	How to insert/replace the batteries.	Page	9
3.3	Battery status display	Page	9
3.4	How to set the gain	Page	9
3.5	How to turn the transmitter on/off.	Page	9
3.6	How to select a channel	Page	10
3.7	How to display the frequency.	Page	10
3.8	How to select the mute function	Page	10
3.9	Maintenance	Page	10
4.	Synexis TP8 beltpack transmitter	Page	11
4.1	Controls and indicators	Page	11
4.2	How to insert/replace the batteries.	Page	11
4.3	Battery status display	Page	12
4.4	How to set the gain	Page	12
4.5	Microphone connection	Page	12
4.6	How to turn the transmitter on/off.	Page	12
4.7	How to select and lock a channel	Page	12
4.8	How to display the frequency.	Page	13
4.9	How to mute the microphone	Page	13
4.10	How to connect an audio source	Page	13
5.	Synexis TS8 stationary transmitter	Page	14
5.1	Controls and indicators	Page	14
5.2	Setting up	Page	14
5.3	How to select and lock a channel	Page	15
5.4	How to display the frequency.	Page	15
5.5	Mounting the antenna on the front / 19" rack mounting.	Page	15
6.	Synexis C8 / C10 / C20 / C30 / CHP chargers.	Page	16
6.1	Controls and indicators	Page	16
6.2	How to use the charger	Page	20
6.3	Power supply	Page	20
6.4	Charging	Page	22
6.5	Maintenance	Page	22
6.6	Charging capacity and memory effect	Page	22
7.	General instructions for a trouble-free operation	Page	23
8.	Trouble shooting	Page	23
9.	Components	Page	24
10.	Supplied accessories.	Page	24
11.	Optional accessories.	Page	24
12.	Frequencies	Page	25
13.	Technical specifications	Page	26

Thank you for selecting the Synexis wireless tour guide system from beyerdynamic. Please take some time to read carefully through this manual before using the system.

The Synexis tour guide system provides an optimum digital audio transmission for guided tours e.g. in factories or museums or in multilingual conferences e.g. in conjunction with an interpretation system.

Synexis consists of the following components:

- Synexis RP8 beltpack receiver
- Synexis TH8 handheld transmitter
- Synexis TP8 beltpack transmitter
- Synexis TS8 stationary transmitter
- Synexis C8 charger
- Synexis C10 charger
- Synexis C20 charger
- Synexis C30 charger
- Synexis CHP charger

1. Important safety instructions

General

- READ the operating instructions.
- KEEP the operating instructions.
- HEED all warnings.
- FOLLOW all instructions.

Exemption from liability

- beyerdynamic GmbH & Co. KG will not be liable if any damage, injury or accident occurs due to negligent, incorrect or inappropriate operation of the product.

1.1 Synexis C8, C10, C30 chargers



The lightning flash within an equilateral triangle is intended to alert the user to the presence of uninsulated dangerous voltage within the device that may be sufficient enough to constitute a risk of electric shock to users.



The exclamation mark within an equilateral triangle is intended to alert the user to the presence of important operating and maintenance instructions in the literature accompanying the product.

Warning

To reduce the risk of fire or electric shock, do not expose this apparatus to rain or moisture.

1. Read these instructions.
2. Keep these instructions.
3. Heed all warnings.
4. Follow all instructions.
5. Do not use this apparatus near water.
6. **WARNING:** To reduce the risk of fire or electric shock, do not expose this apparatus to rains or moisture.
7. Clean only with dry cloth.
8. Do not block any ventilation openings. Install in accordance with the manufacturer's instructions.
9. Do not install near any heat sources such as radiators, heat registers, stoves, or other apparatus (including amplifiers) that produce heat.
10. Do not defeat the safety purpose of the polarized or grounding-type plug. A polarized plug has two blades with one wider than the other. A grounding type plug has two blades and a third grounding prong. The wide blade or the third prong are provided for your safety. If the provided plug does not fit into your outlet, consult an electrician for replacement of the obsolete outlet.
11. Protect the power cord from being walked on or pinched particularly at plugs, convenience receptacles, and the point where they exit from the apparatus.
12. Only use attachments/accessories specified by the manufacturer.
13. Use only with the cart, stand, tripod, bracket, or table specified by the manufacturer, or sold with the apparatus. When a cart is used, use caution when moving the cart/apparatus combination to avoid injury from tip-over.
14. Unplug this apparatus during lightning storms or when unused for long periods of time.
15. Refer all servicing to qualified service personnel. Servicing is required when the apparatus has been damaged in any way, such as power supply cord or plug is damaged, liquid has been spilled or objects have fallen into the apparatus, the apparatus has been exposed to rain or moisture, does not operate normally, or has been dropped.

1.2 Synexis TS8 stationary transmitter, Synexis C8, C10, C20, C30, CHP chargers

Location

- The equipment must be set up so that the mains switch, mains plug and all connections on the rear of the device are easily accessible.
- If you transport the equipment to another location take care to ensure that it is adequately secured and can never be damaged by being dropped or by impacts on the equipment.

Fire hazard

- Never place naked flames (e.g. candles) near the equipment.

Humidity / heat sources

- Never expose the equipment to rain or a high level of humidity. For this reason do not install it in the immediate vicinity of swimming pools, showers, damp basement rooms or other areas with unusually high atmospheric humidity.
- Never place objects containing liquid (e.g. vases or drinking glasses) on the equipment. Liquids in the equipment could cause a short circuit.
- Do not install near any heat sources such as radiators, heat registers, stoves or other apparatus (including amplifiers) that produce heat.

Connection – Synexis TS8 stationary transmitter, Synexis CHP, C20 charger

- The device can only be powered with the supplied external power adapter connected to a power outlet.

Connection - Synexis C8, C10, C30 chargers

- The equipment must be connected to a mains socket that has an earth contact.
- Protect the power cord from being walked on or pinched particularly at plugs, convenience receptacles, and the point where they exit from the apparatus.
- Lay all connection cables so that they do not present a trip hazard.
- Whenever working on the equipment switch off all inputs and outputs to the power supply.
- Check whether the connection figures comply with the existing mains supply. Serious damage could occur due to connecting the system to the wrong power supply. An incorrect mains voltage could damage the equipment or cause an electric shock.
- Please note that different operating voltages require the use of different types of power cable and plugs.

Please refer to the following table:

Voltage	Power plug according to standard
110 - 125 V	UL817 and CSA C 22.2 no 42.
220 - 230 V	CEE 7 page VII, SR section 107-2-D1/IEC 83 page C4.
240 V	BS 1363 (1984): "Specification for 13A fused plugs and switched and un-switched socket outlets."

- If the equipment causes a blown fuse or a short circuit, disconnect it from the mains and have it checked and repaired.
- Do not hold the mains cable with wet hands. There must be no water or dust on the contact pins. In both cases you could receive an electric shock.
- The mains cable must be firmly connected. If it is loose there is a fire hazard.
- Always pull out the mains cable from the mains and/or from the equipment by the plug – never by the cable. The cable could be damaged and cause an electric shock or fire.
- Do not use the equipment if the mains plug is damaged.
- If you connect defective or unsuitable accessories, the equipment could be damaged. Only use connection cables available from or recommended by beyerdynamic.
- Do not connect more than six Synexis C8 or C10 chargers in one daisy chain.

Switching off - Synexis C8, C10, C30 chargers

- In order to switch off the device disconnect the power plug from the power socket.

Disconnect - Synexis C8, C10, C30 chargers

- For pluggable equipment, the socket-outlet shall be installed near the equipment and shall be easily accessible.

Ventilation - Synexis C8, C10, C20, C30 chargers

- Do not insert objects into the ventilation grilles or other openings. You could damage the equipment and/or injure yourself.

Maintenance

- Only clean the equipment with a slightly damp or dry cloth. Never use solvents as these damage the surface.

Trouble shooting and servicing

- Do not open the equipment without authorisation. You could receive an electric shock. There are no user-serviceable parts inside.
- Leave all service work to authorised expert personnel.

1.3 Synexis TH8 handheld transmitter, Synexis TP8 beltpack transmitter, Synexis RP8 beltpack receiver

- Protect the transmitter/receiver from moisture and sudden impacts. You could either injure yourself or others or damage the transmitter.
- Always switch off the transmitter/receiver before charging or changing the batteries.

Synexis TH8 handheld transmitter

- Do not blow into the microphone. In a condenser microphone this could damage the transformer. It is preferable to carry out a speech trial.

Synexis TP8 beltpack transmitter

- Clip-on microphones are often very compact. If they are accidentally swallowed there is a risk of choking. Always keep this type of microphone away from small children.

Synexis RP8 beltpack receiver

- The Synexis RP8 receiver can produce sound pressures of more than 85 dB(A). 85 dB(A) is the sound pressure corresponding to the maximum permissible volume which is by law (in some countries) allowed to affect your hearing for the duration of a working day. It is used as a basis according to the specifications of industrial medicine. Higher volumes or longer durations can damage your hearing. At higher volumes, the duration must be shortened in order to prevent hearing damage. The following are symptoms that you have been exposed to excessive noise for too long a time:
 - You can hear ringing or whistling sounds in your ears.
 - You have the impression (even for a short time only) that you can no longer hear high notes.

1.4 NiMH rechargeable batteries, batteries

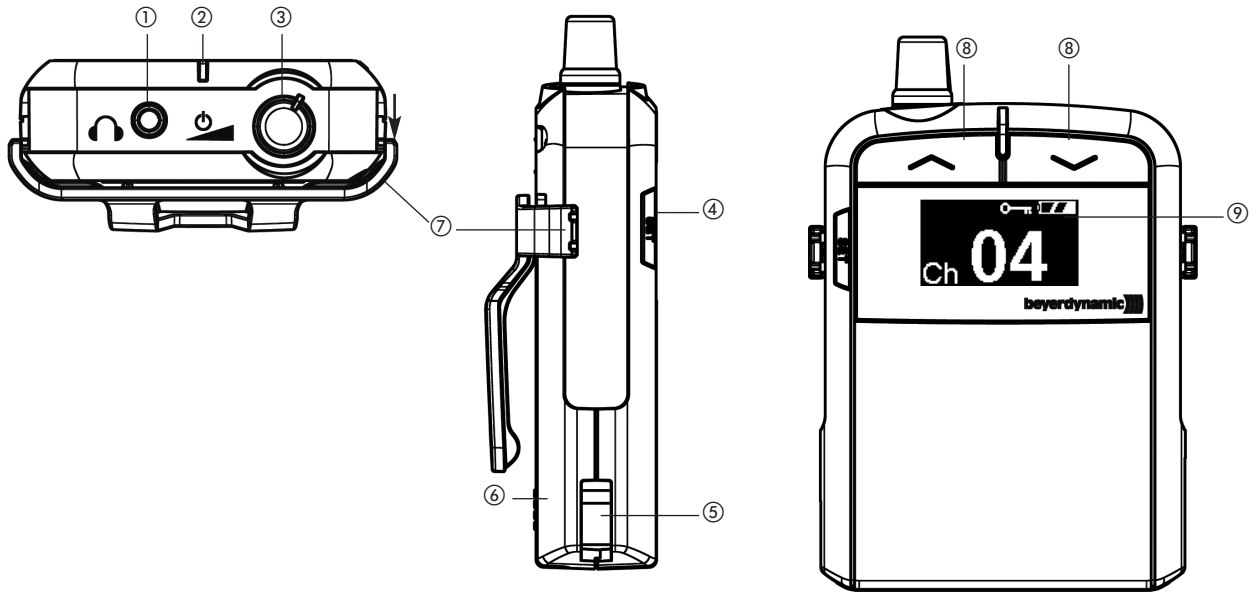
- The TH8, TP8 transmitters and the RP8 receiver can only be operated with AA (LR6) Mignon alkaline batteries or equivalent NiMH rechargeable batteries (1600 mAh to 2100 mAh).
- The normal commercial alkaline batteries can have a length tolerance of 2 - 3 mm. When changing the batteries always ensure good contact.
- If the transmitter is not being used for weeks or months, please remove the batteries. Batteries can leak when not being used for a long time and corrode the conductor strips and components. Repair is not then possible. In this case all warranty claims are null and void. The description "leak proof" on batteries is no guarantee that they will not run out.
- Never take batteries apart yourself. The battery acid contained will damage skin and clothing.
- If abused or misused, rechargeable batteries may leak. In extreme cases, they may even present an explosion, heat, fire, smoke or gas hazard.
- **CAUTION:** Danger of explosion if battery is incorrectly replaced.

Disposal

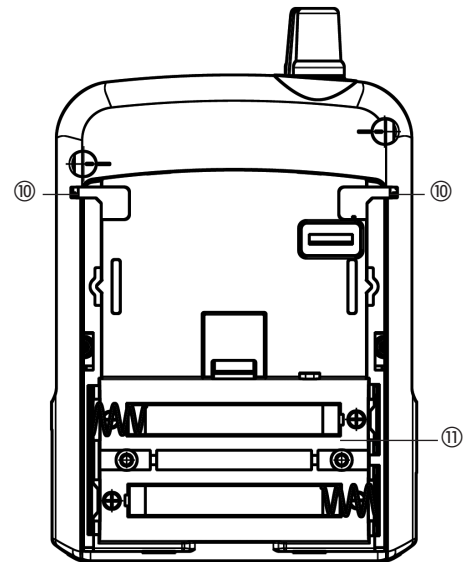
- If you throw away the device, please remove the batteries.
- Old batteries may contain substances that are harmful to your health and environment.
- Dispose used batteries always according to the applicable disposal regulations. Please do not throw used battery packs into the fire (danger of explosion) or your household rubbish, take them to your local collection points. The return is free and required by law. Please dispose discharged batteries only.
- For removing the batteries, please refer to chapter "How to insert/replace the batteries".
- All batteries are recycled to reclaim valuable material such as iron, zinc or nickel.

2. Synexis RP8 backpack receiver

2.1 Controls and indicators



- ① Headphone socket, mini jack (3.5 mm)
- ② LED to display operation or charging status (refer also to the chapter "Synexis chargers")
- ③ On/off and volume control
- ④ Set button
- ⑤ Charging contacts
- ⑥ Lid of the battery compartment
- ⑦ Belt clip
- ⑧ Channel selector buttons
- ⑨ OLED display to indicate the channel, battery status, frequency and channel lock function (on delivery with protective foil)
- ⑩ Mounting for strap
- ⑪ Battery compartment

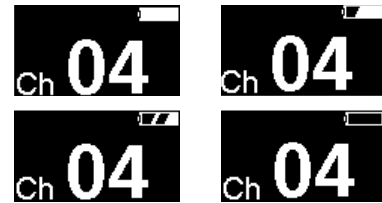


2.2 How to insert/replace the batteries

- Remove the belt clip ⑦ by levering out the clip with pressure to the rear from the lock-in position (see arrow in chapter "Controls and indicators"). Slide down the lid ⑥ to open the battery compartment ⑪.
- Insert the supplied NiMH rechargeable batteries according to the polarity marks. **Before** using the receiver for the **first time**, the rechargeable batteries inside must be charged e.g. with the Synexis C8 or C10 charger. As an alternative you can use two 1.5 V AA alkaline batteries.
- If you wish to wear the receiver with a strap around your neck, you can mount a strap ⑩ to the right and left hand side.
- Close the battery compartment ⑪ by sliding the lid ⑥ to the top.

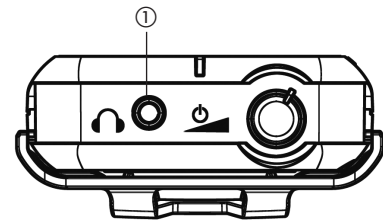
2.3 Battery status display

- The battery status is displayed ⑥ in 4 stages.
- If only one bar is displayed, you should recharge the receiver as soon as possible.
- If the battery frame is flashing, the batteries are empty and have to be replaced or recharged.
- If the receiver is equipped with rechargeable NiMH batteries, put it into the appropriate charger (e.g. Synexis C8 or C10). Despite the Auto-Off function we recommend turning off the receiver before charging.
The LED ② indicates the charging status:
LED is flashing blue The batteries are being charged
LED illuminates blue The batteries are fully charged
LED is flashing red Error



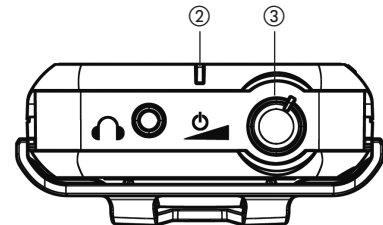
2.4 Headphone connection

- Connect a beyerdynamic headphone with mono or stereo mini jack plug to the headphone socket ①.



2.5 How to turn the receiver on/off and control the volume

- Switch on the beltpack receiver by turning the control ③ clockwise to the right.
- The LED ② will illuminate:
blue, when a transmitter is turned on and reception available.
red, when there is no transmitter turned on or no reception available.
- Use the control ③ to set the requested volume by turning it more clockwise.
- The selected channel and the battery status are displayed ⑥.
- After use, switch off the receiver by turning the control ③ anti-clockwise.
- The LED ② will go out.

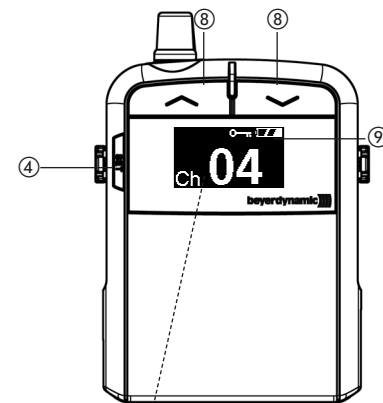


CAUTION

- Do not set the volume too high, because listening at high levels can damage your hearing.

2.6 How to select and lock a channel

- Use one of the two channel selector buttons ⑧ to select the requested channel.
- If you release the channel selector button ⑧, the channel will automatically be stored after approx. 3 seconds.
- If you would like to lock the selected channel to avoid accidental shifting, hold down the Set button ④ for about 3 seconds. A key symbol will be displayed ⑨. The channel is locked.
If you would like to unlock a locked channel, hold down the Set button ④ for about 3 seconds. The key symbol in the display ⑨ will disappear.

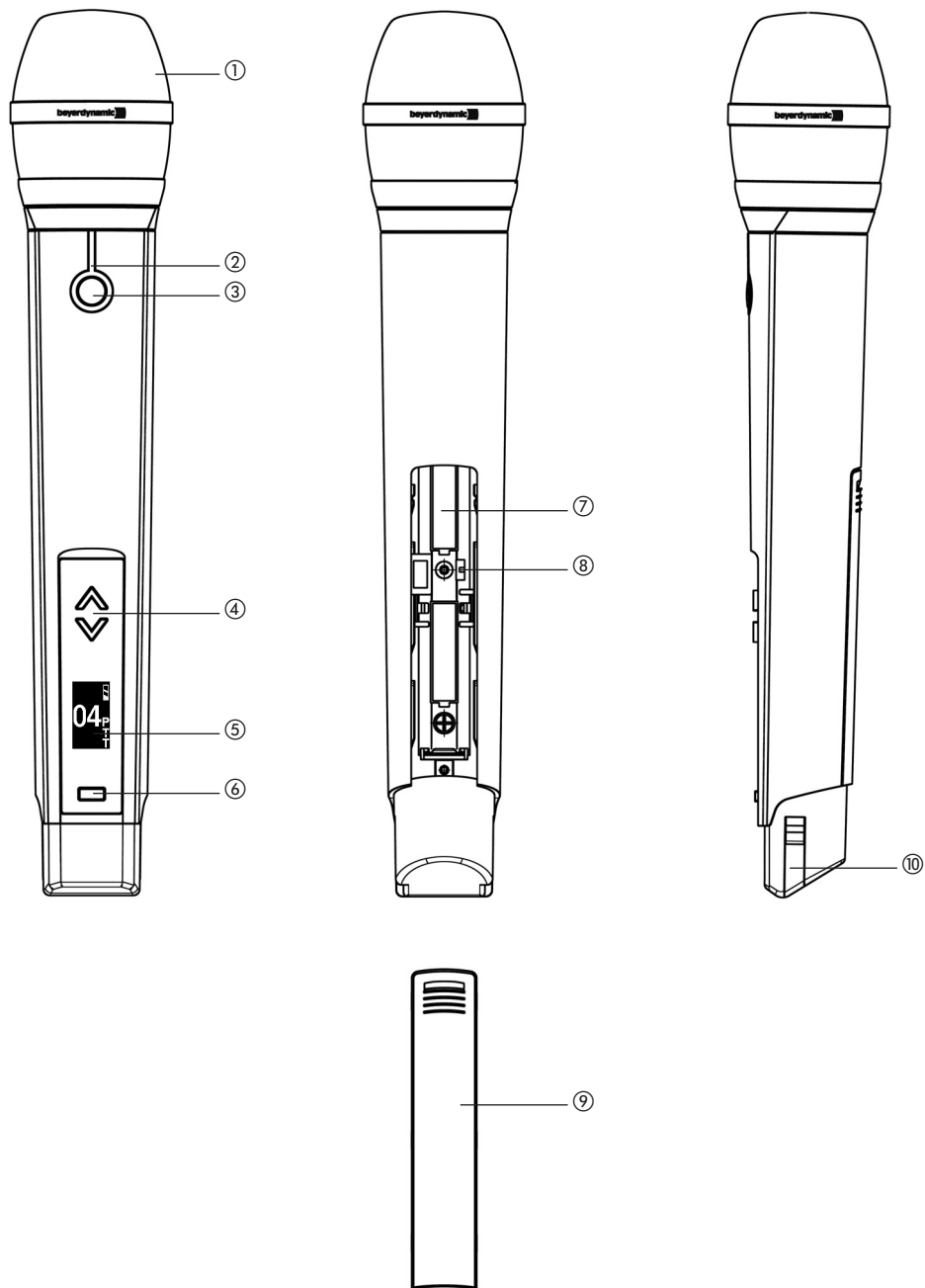


2.7 How to display the frequency

- Press the Set button ④ briefly.
- The frequency will be displayed ⑨ for a few seconds.

3. Synexis TH8 handheld transmitter

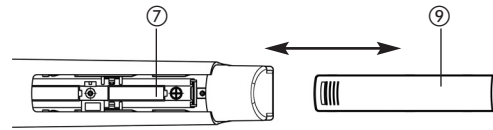
3.1 Controls and indicators



- ① Electret condenser microphone head, cardioid polar pattern
- ② LED to display mute or charging status (refer also to the chapter "Synexis chargers")
- ③ Button with mute function
- ④ Arrow-shaped buttons for channel selection and frequency display
- ⑤ OLED display to indicate battery status, channel, frequency and mute function (on delivery with protective foil)
- ⑥ On/off and Set button
- ⑦ Battery compartment
- ⑧ Gain switch Hi/Low
- ⑨ Lid of the battery compartment
- ⑩ Charging contacts on the right and left hand side

3.2 How to insert/replace the batteries

- Slide down the lid ⑨ to open the battery compartment ⑦.
- Insert the supplied NiMH rechargeable batteries according to the polarity marks. **Before** using the transmitter for the **first time**, the rechargeable batteries inside must be charged e.g. with the Synexis C8 charger. As an alternative you can use two 1.5 V AA alkaline batteries.
- Close the battery compartment ⑦ by sliding the lid ⑨ to the top.



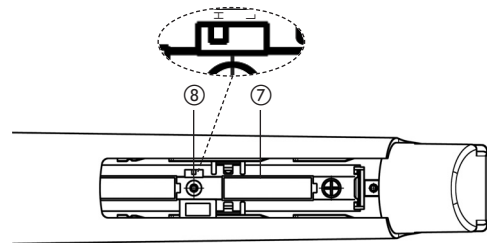
3.3 Battery status display

- The battery status is displayed ⑤ in 4 stages.
- If only one bar is displayed, you should recharge the receiver as soon as possible.
- If the battery frame is flashing, the batteries are empty and have to be replaced or recharged.
- If the transmitter is equipped with rechargeable NiMH batteries, put it into the appropriate charger (e.g. Synexis C8). Despite the Auto-Off function we recommend turning off the transmitter before charging. Depending on the charger, the LED of the charger or the LED ② indicates the charging status:
 LED is flashing blue The batteries are being charged
 LED illuminates blue. The batteries are fully charged
 LED is flashing red Error



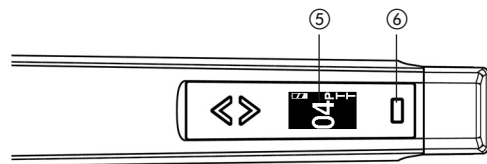
3.4 How to set the gain

- Inside the battery compartment ⑦ you will find the gain switch ⑧ to set the gain for close or distant miking. Remove the batteries first and then set the gain.
 Position "High" = set switch to "H"
 Position "Low" = set switch to "L"



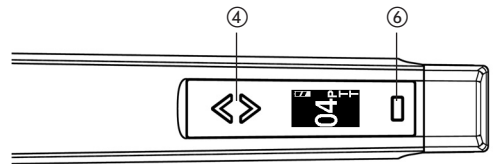
3.5 How to turn the transmitter on/off

- Turn on the handheld transmitter by pressing the on/off button ⑥ for approx. 3 seconds.
- The battery status, selected channel and mute function are displayed ⑤.
- After use turn off the handheld transmitter by pressing the on/off button ⑥ for approx. 3 seconds.



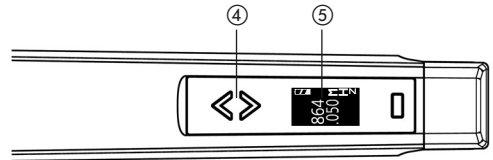
3.6 How to select a channel

- Press the on/off button ⑥ and one of the two arrow-shaped buttons ④ simultaneously for approx. 2 seconds until the channel display ⑤ will flash.
- Use the upper or lower arrow-shaped button ④ to select the requested channel.
- The channel will automatically be stored after approx. 2 seconds. If you press briefly the on/off button ⑥, the channel will immediately be stored.



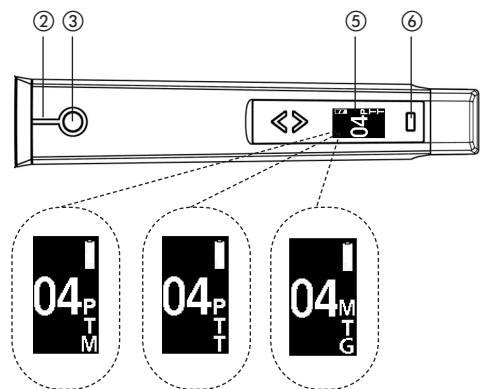
3.7 How to display the frequency

- Press both arrow-shaped buttons ④ simultaneously.
- The frequency will be displayed ⑤ for approx. 2 seconds.



3.8 How to select the mute function

- Press the on/off button ⑥ and the mute button ③ simultaneously for approx. 2 seconds until the channel and mute display ⑤ will start to flash.
- Use the mute button ③ to select the requested mute function.
- After approx. 2 seconds the selected mute function will automatically be stored or immediately if you press briefly the on/off button ⑥.
- If the LED ② will illuminate blue, the microphone is activated. If the LED ② will flash red, the microphone is muted.
- There are three different mute functions available:
 Push-To-Mute (PTM): Hold down the mute button ③ to mute the microphone.
 Push-To-Talk (PTT): Hold down the mute button ③ to activate the microphone.
 Mute Toggle (MTG): Press the button ③ briefly to switch between muted and activated microphone.

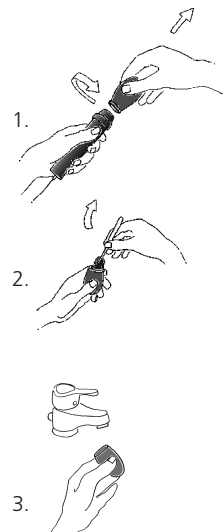


3.9 Maintenance

- Protect the handheld transmitter from moisture and sudden impacts.
- For cleaning metal surfaces, use a soft cloth moistened with methylated spirits or alcohol.
- Clean the foam pop shield under clear running water:
 1. Unscrew the microphone basket counter clockwise.
 2. Remove the foam pop shield (if necessary use tweezers).
 3. Wash the pop shield under clear running water and dry it afterwards with a hairdryer or allow it to dry overnight.
- Place the dry pop shield inside the microphone basket and screw the microphone basket clockwise.

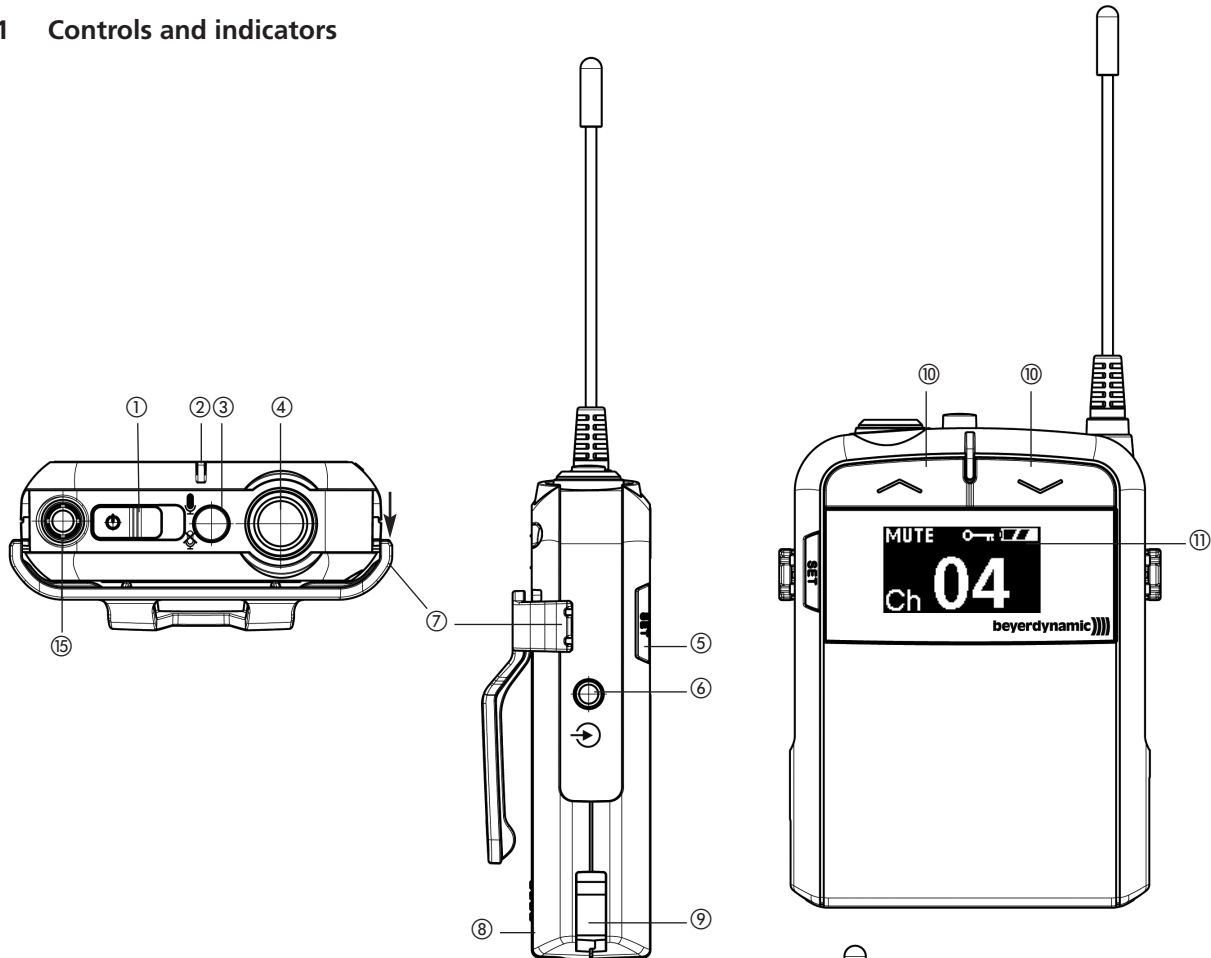
Important

- Place the microphone basket and the pop shield on the transmitter again only when completely dry.



4. Synexis TP8 backpack transmitter

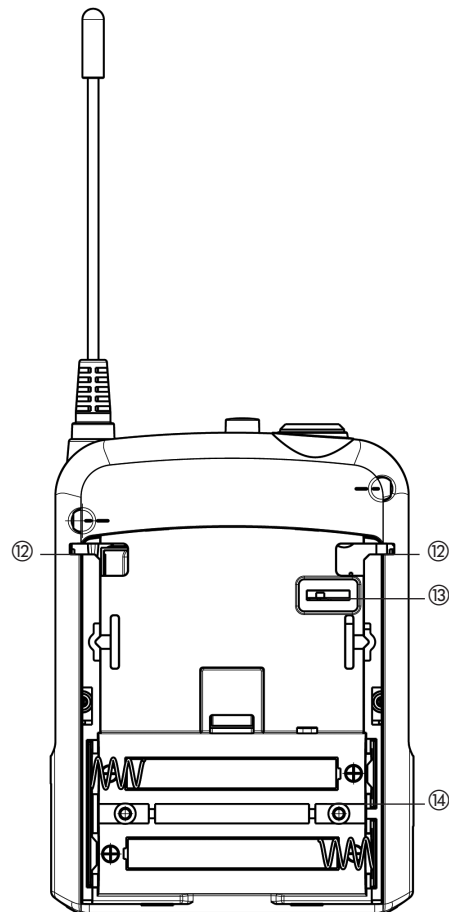
4.1 Controls and indicators



- ① On/off switch
- ② LED to display operating or charging status (refer also to the chapter "Synexis chargers")
- ③ Push-button to mute the microphone
- ④ Microphone connection, 4-pin mini XLR
- ⑤ Set button
- ⑥ Line-In input to connect an audio source such as MP3 player, mini stereo jack (3.5 mm)
- ⑦ Belt clip
- ⑧ Lid of the battery compartment
- ⑨ Charging contacts on the right and left hand side
- ⑩ Channel selector buttons
- ⑪ OLED display to indicate the channel, battery status, frequency and channel lock function (on delivery with protective foil)
- ⑫ Mounting for strap
- ⑬ Gain switch, 3 stages Hi/Mid/Low
- ⑭ Battery compartment
- ⑮ Antenna

4.2 How to insert/replace the batteries

- Remove the belt clip ⑦ by levering out the clip with pressure to the rear from the lock-in position (see arrow in chapter "Controls and indicators"). Slide down the lid ⑧ to open the battery compartment ⑭.
- Insert the supplied NiMH rechargeable batteries according to the polarity marks. **Before** using the transmitter for the **first time**, the rechargeable batteries inside must be charged e.g. with the Synexis C8 or C10 charger. As an alternative you can use two 1.5 V AA alkaline batteries.
- If you wish to wear the transmitter with a strap around your neck, you can mount a strap ⑫ to the right and left hand side.
- Close the battery compartment ⑭ by sliding the lid ⑧ to the top.

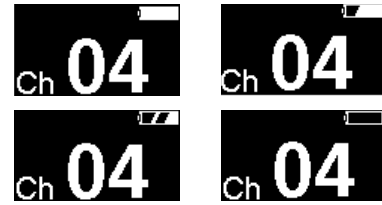


4.3 Battery status display

- The battery status is displayed ⑩ in 4 stages.
- If only one bar is displayed, you should recharge the receiver as soon as possible.
- If the battery frame is flashing, the batteries are empty and have to be replaced or recharged.
- If the transmitter is equipped with rechargeable NiMH batteries, put it into the appropriate charger (e.g. Synexis C8 or C10). Despite the Auto-Off function we recommend turning off the transmitter before charging.

The LED ② indicates the charging status:

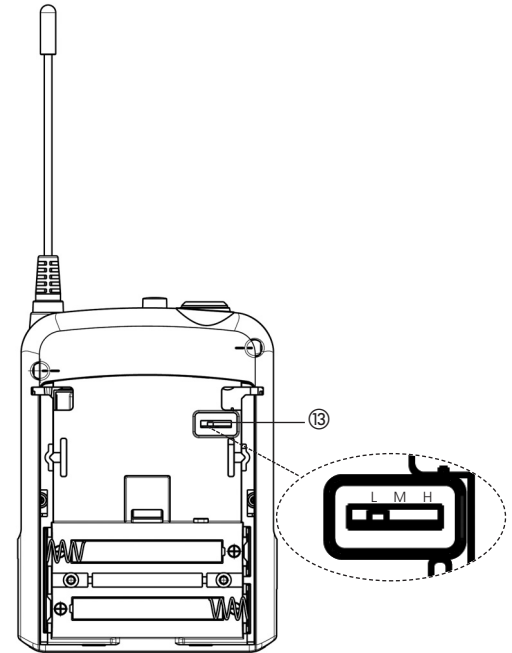
- LED is flashing blue The batteries are being charged
- LED illuminates blue The batteries are fully charged
- LED is flashing red Error



4.4 How to set the gain

- With the 3-stage (Hi/Mid/Low) gain switch ⑬ you can set the gain for close or distant miking. Remove the lid of the battery compartment ⑧ to access the switch.

- Position "Low" = set switch to "L"
- Position "Mid" = set switch to "M"
- Position "High" = set switch to "H"

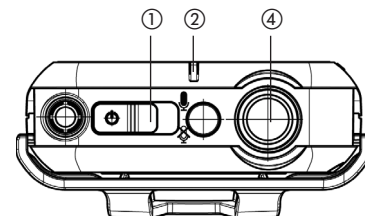


4.5 Microphone connection

- Connect a microphone to the 4-pin mini XLR socket ④. Make sure the connector will correctly lock in place.

Note

- In order to avoid popping noise in the Synexis RP8 receiver, you should connect the microphone when Synexis TP8 receiver is turned off.

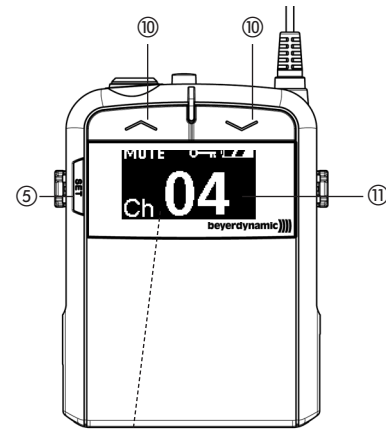


4.6 How to turn the transmitter on/off

- Turn on the beltpack transmitter with the on/off switch ①.
- The LED ② will illuminate blue.
- The selected channel and the battery status are displayed ⑩.
- After use turn off the beltpack transmitter with the on/off switch ①.
- The LED ② will go out.

4.7 How to select and lock a channel

- Use one of the two channel selector buttons ⑩ to select the requested channel.
 - If you release the channel selector button ⑩, the channel will automatically be stored after approx. 3 seconds.
 - If you would like to lock the selected channel to avoid accidental shifting, hold down the Set button ⑤ for about 3 seconds. A key symbol will be displayed ⑪. The channel is locked.
- If you would like to unlock a locked channel, hold down the Set button ⑤ for about 3 seconds. The key symbol in the display ⑪ will disappear.

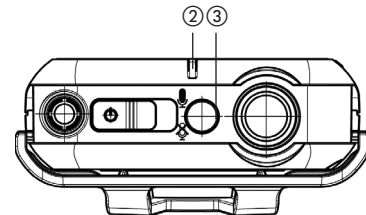


4.8 How to display the frequency

- Press the Set button ⑤ briefly.
- The frequency will be displayed ⑪ for a few seconds.

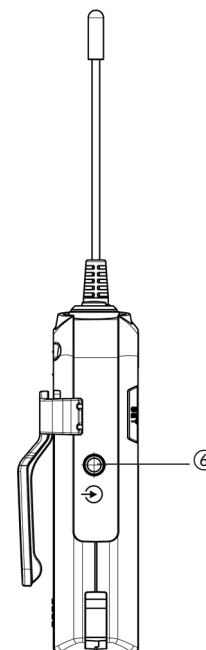
4.9 How to mute the microphone

- If you would like to mute the connected microphone, press the mute button ③. The LED ② will flash red. "Mute" is displayed ⑪. In order to turn off the mute function, press the mute button ③ once again.



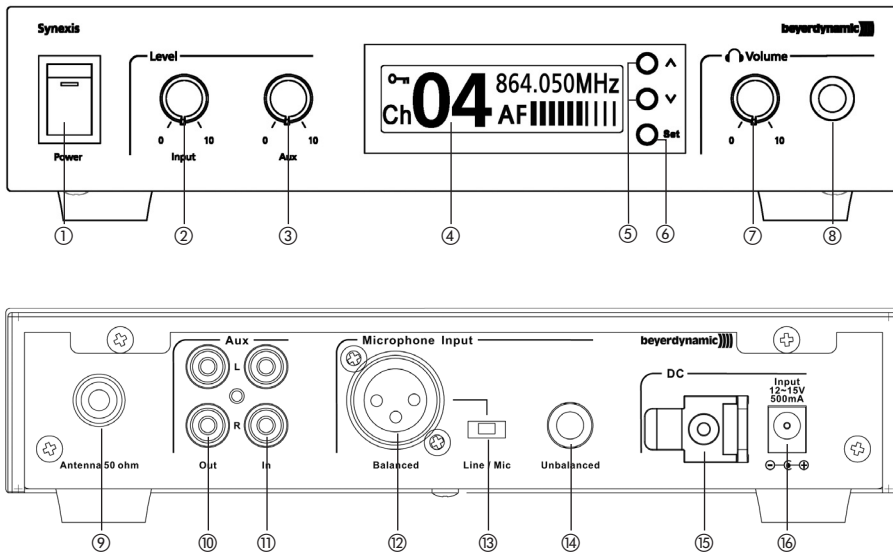
4.10. How to connect an audio source

- You can connect an audio source (e.g. MP3 player) to the Line In input ⑥, if you want to play recordings during guided tours.



5. Synexis TS8 stationary transmitter

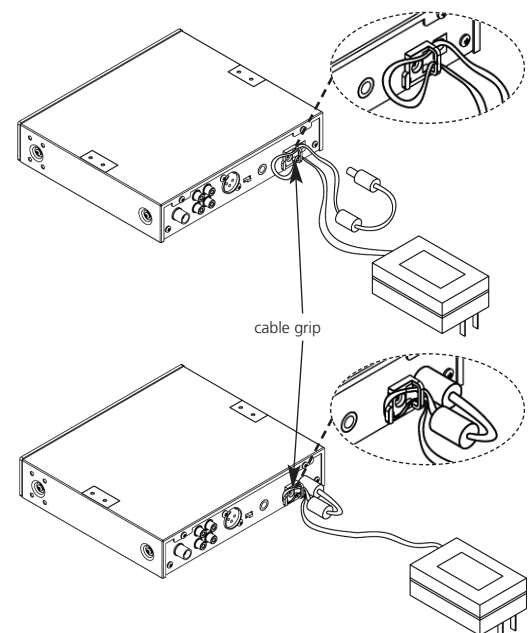
5.1 Controls and indicators



- ① On/off switch
- ② Level control microphone input
- ③ Level control AUX input
- ④ OLED display to indicate channel, AF level, frequency and channel lock function (on delivery with protective foil)
- ⑤ Channel selector buttons
- ⑥ Set button
- ⑦ Level control headphone
- ⑧ Headphone connection, 1/4" stereo jack (6.35 mm) (Mix from Aux and Input. On request, Aux only for single interpretation applications.)
- ⑨ Antenna output, 50 ohms, TNC
- ⑩ AUX output, phono RCA, stereo
- ⑪ AUX input, phono RCA, stereo, for MP3 or CD
- ⑫ Input for line or dynamic microphone, balanced, 3-pin XLR
- ⑬ Sensitivity switch for Line level or microphone
- ⑭ Microphone input, unbalanced, 1/4" stereo jack (6.35 mm)
- ⑮ Cable grip
- ⑯ DC connection for power adapter

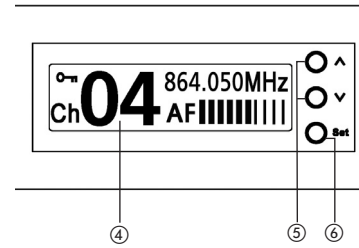
5.2 Setting up

1. Connect the supplied antenna to the antenna output ⑨.
2. Connect the XLR input ⑫ or the jack input ⑭ to the output of a mixing console, interpretation system or a dynamic microphone.
3. Set the sensitivity according to the input level.
Recommendation:
Mic when using dynamic microphones
Line when using interpretation systems, mixing console outputs etc.
4. Depending on the application you can connect an MP3 or CD player to the AUX input ⑪.
5. Make sure the mains voltage shown on the power adapter corresponds to the local mains voltage.
6. Connect the power adapter to the receiver and to AC power.
7. Switch on the Synexis TS8 ①.
8. Channel and AF level are displayed ④.
9. If the transmitter is not operated for a while, the display turns into a "screensaver" mode (dimmed, continuous display). The AF level is not displayed in the "screensaver" mode. In order to activate it, press briefly the Set button ⑥.
10. To avoid accidental pulling off the power adapter cable, thread the power cable through the cable grip as shown on the illustrations on the right hand side.



5.3 How to select and lock a channel

- Select a channel with the channel selector buttons (5).
- Press the up or down button (5) until the requested channel is displayed (4).
- Release the button (5) to store the selected channel.
- If you would like to lock the selected channel to avoid accidental shifting, hold down the Set button (6) for about 3 seconds. A key symbol will be displayed (4). The channel is locked.
- If you would like to unlock a locked channel, hold down the Set button (6) for about 3 seconds. The key symbol in the display (4) will disappear.



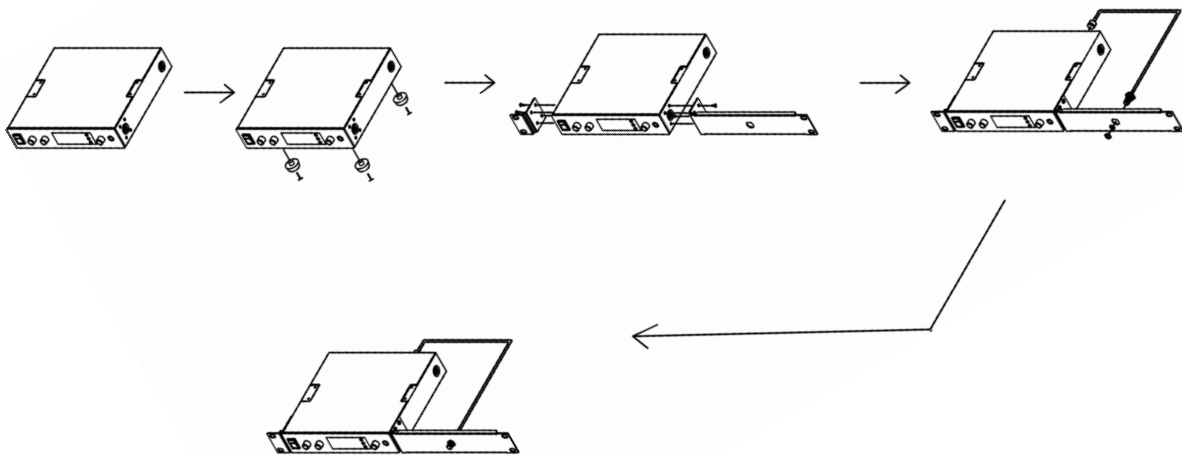
5.4 How to display the frequency

- Press the Set button (6) briefly.
- The frequency is displayed next to the channel.

5.5 Mounting the antenna on the front / 19" rack mounting

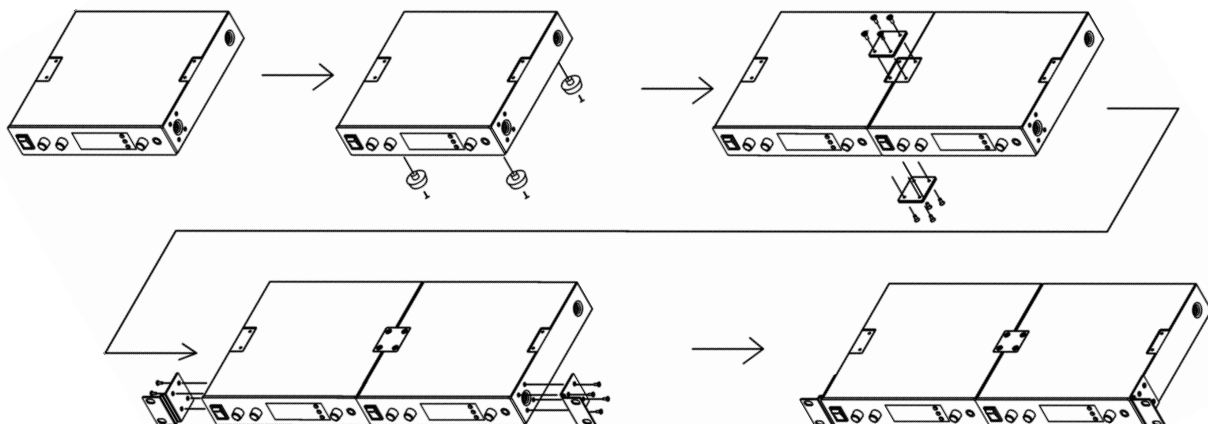
One transmitter - mounting the antenna on the front

- Pull out the retention pin in the middle of the feet and remove them from the bottom of the transmitter.
- Attach the shorter one of the two supplied brackets to one side of the transmitter and the longer bracket with a hole for mounting the antenna on the front on the other side.
- Connect the antenna cable to the antenna input (9) on the rear, pull the cable through the hole and mount the antenna on the front.



Two transmitters - 19" rack mounting

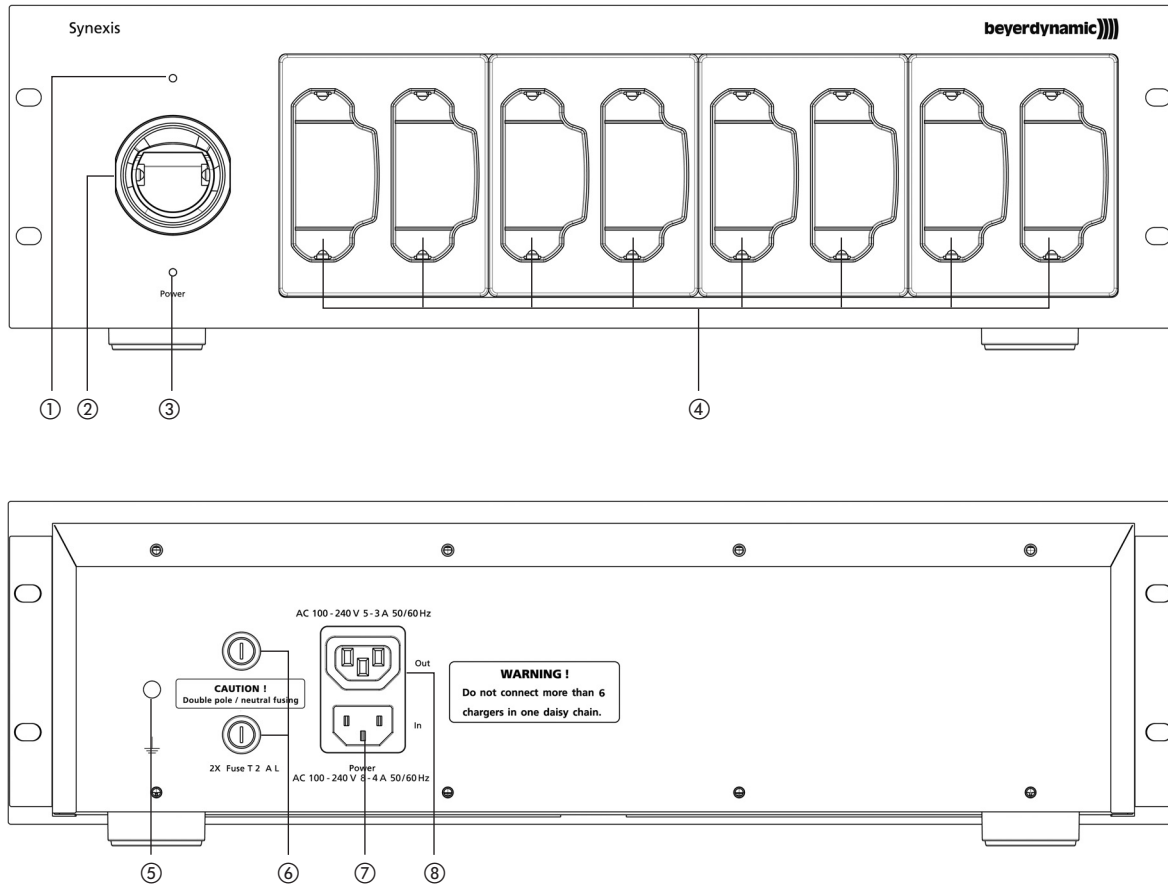
- Pull out the retention pin in the middle of the feet and remove them from the bottom of the transmitter.
- Mount the connection plates on the top and bottom of the two transmitters.
- After joining the two transmitters together, mount the supplied brackets on the right and left hand side of the transmitters and mount them in a 19" rack.



6. Synexis C8 / C10 / C 20 / CHP chargers

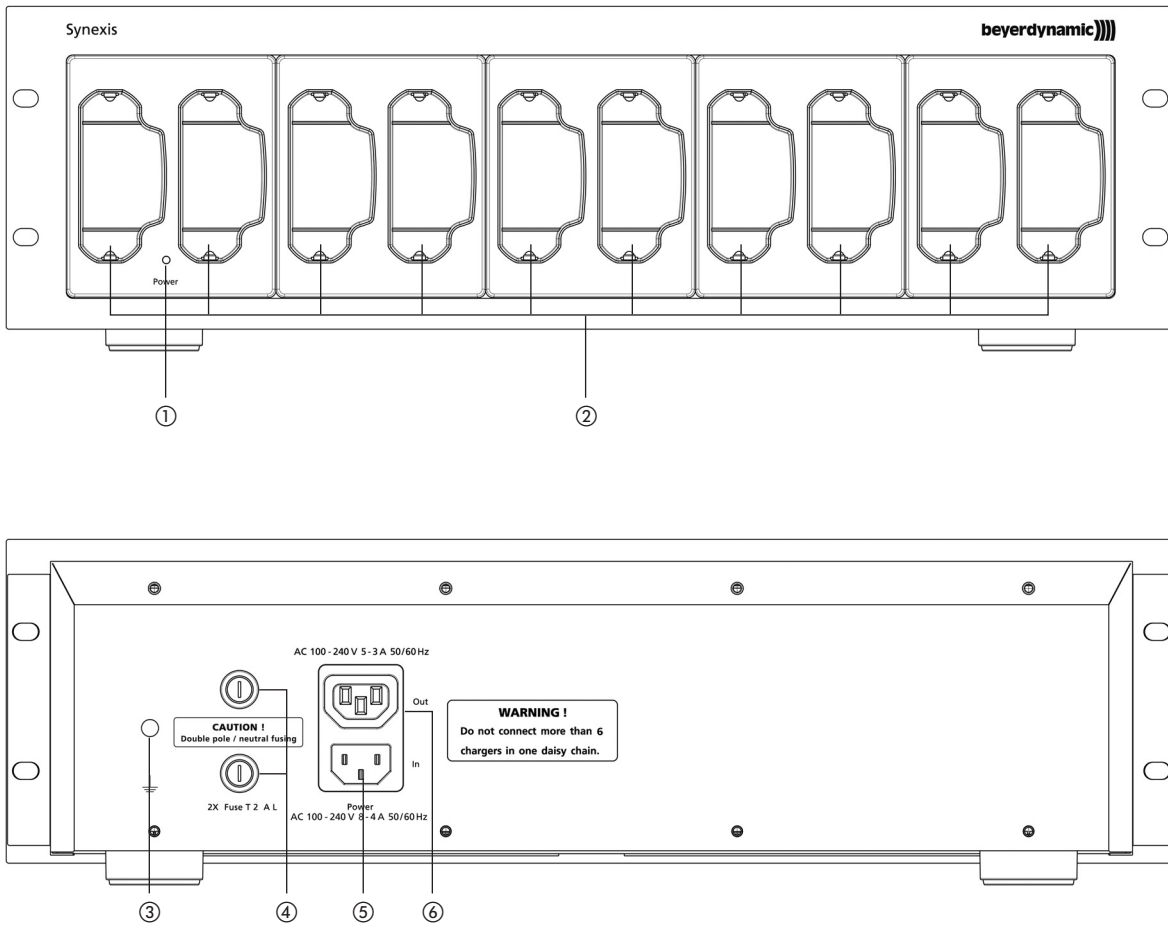
6.1 Controls and indicators

Synexis C8



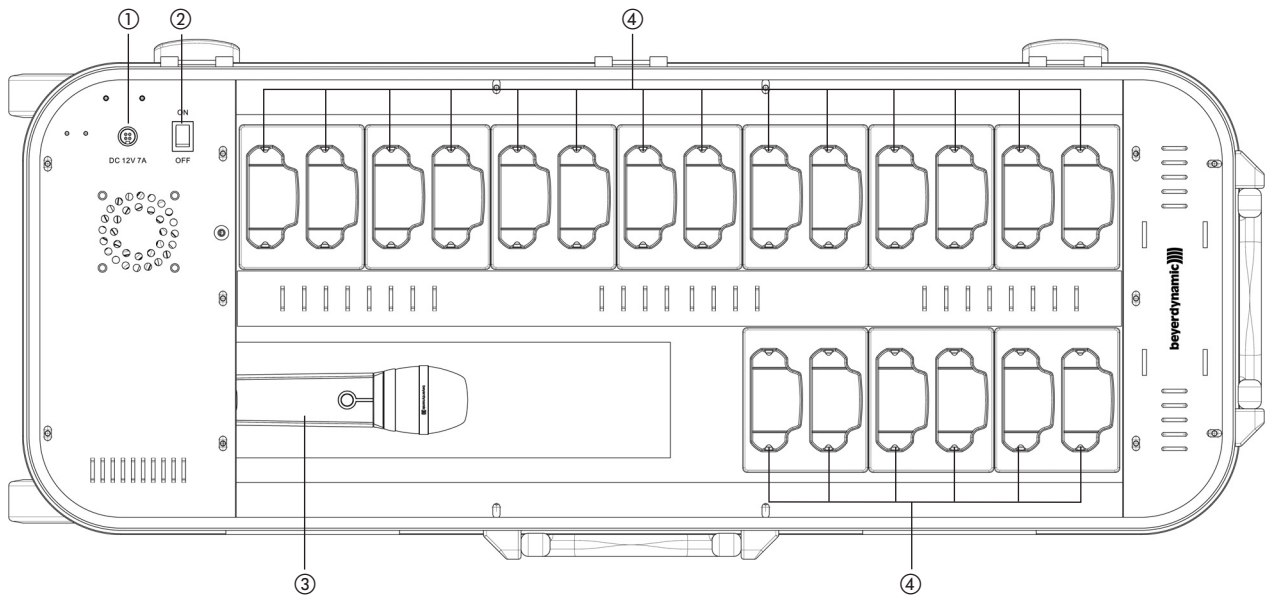
- ① Charging status of handheld transmitter
- ② Charging compartment for handheld transmitter
- ③ Power on LED
- ④ Charging compartments for beltpack transmitters / beltpack receivers
- ⑤ Ground
- ⑥ Fuse
- ⑦ Mains connection
- ⑧ Connection to loop through another charger

Synexis C10



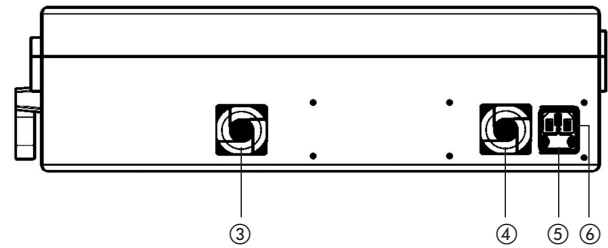
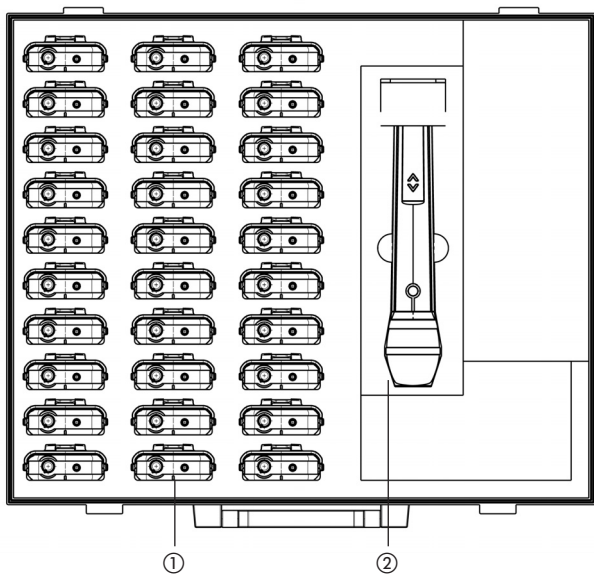
- ① Power on LED
- ② Charging compartments for beltpack transmitters / beltpack receivers
- ③ Ground
- ④ Fuse
- ⑤ Mains connection
- ⑥ Connection to loop through another charger

Synexis C20



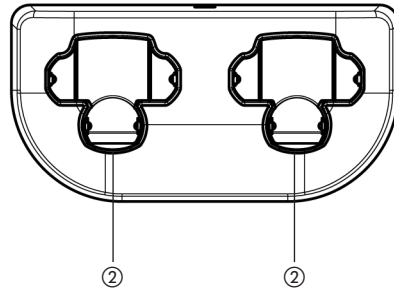
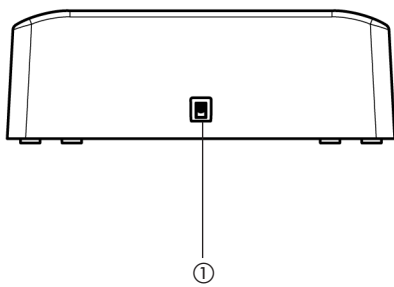
- ① DC connection for power adapter
- ② Power on switch with LED
- ③ Charging compartment for handheld transmitter
- ④ Charging compartments for beltpack transmitters / beltpack receivers

Synexis C30



- ① Charging compartments for beltpack transmitters / beltpack receivers
- ② Optional charging compartment for handheld transmitter
- ③ Ventilation
- ④ Ventilation
- ⑤ Fuse
- ⑥ Mains connection

Synexis CHP

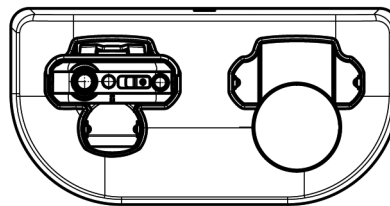
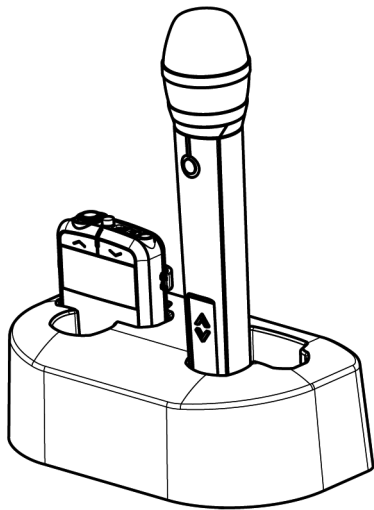


- ① DC connection for power adapter
- ② Charging compartments for beltpack transmitters / beltpack receivers / handheld transmitters

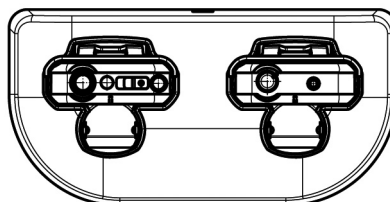
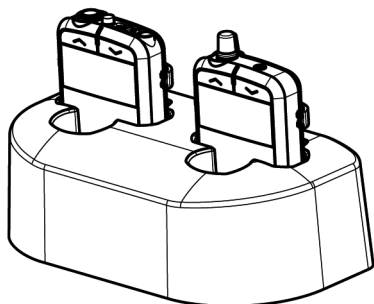
Caution

The beltpack transmitter/receiver and handheld transmitter cannot simultaneously be inserted into the same charging compartment!

Synexis CHP with beltpack transmitter/receiver and handheld transmitter



Synexis CHP with beltpack transmitter/receiver



6.2 How to use the chargers

- The Synexis chargers have been developed for charging the rechargeable batteries inside the Synexis RP beltpack receiver, Synexis TP beltpack transmitter and Synexis TH handheld transmitter.
- **Synexis C8** provides 8 charging compartments for the Synexis RP beltpack receiver or Synexis TP beltpack transmitter and one charging compartment for the Synexis TH handheld transmitter.
- **Synexis C10** provides 10 charging compartments for the Synexis RP beltpack receiver or Synexis TP beltpack transmitter .
- **Synexis C20** provides 20 charging compartments for the Synexis RP beltpack receiver or Synexis TP beltpack transmitter and one charging compartment for the Synexis TH handheld transmitter. The charger is built into a practical trolley. The accessory compartment in the cover of the case provides room for headphones and microphones of the beltpack receivers/transmitters.
- **Synexis C30** provides 30 charging compartments for the Synexis RP beltpack receiver or Synexis TP beltpack transmitter and a connection for an optional charging compartment for the Synexis TH handheld transmitter. The charger is built into a practical case.
- **Synexis CHP** provides 2 charging compartments for the Synexis RP beltpack receiver or Synexis TP beltpack transmitter or the Synexis TH handheld transmitter.
- The Synexis C8 or C10 charger has been designed for the installation into a 19" rack (3 U). When you install the charger into a 19" rack, make sure that the charger is connected to a switchable mains supply.



Safety instructions:

- **Never charge a beltpack receiver, handheld or beltpack transmitter when they are powered with normal batteries!**
- Make sure that the ambient temperature does not exceed 45 °C (113 °F); if necessary ensure an additional ventilation.
- Despite the Auto-Off function we recommend turning off the receivers, handheld and beltpack transmitters before charging!
- After a power failure or after the receiver and/or transmitter has been reinserted, the entire charging process begins again. Overcharging is prevented however.
- If you use the transmitter and receiver from time to time only, the rechargeable batteries can be over-discharged (= discharge until the almost complete exhaustion of the charging capacity of the rechargeable battery) due to self-discharge making the rechargeable batteries useless. Therefore, we recommend to recharge the transmitter and receiver every 2 or 3 months to avoid the rechargeable batteries being damaged due to over-discharge.
- Do not cover the ventilation slots of the Synexis C8, C10, C20 and C30 chargers. With Synexis C20 and C30 charge only when the case is wide open.

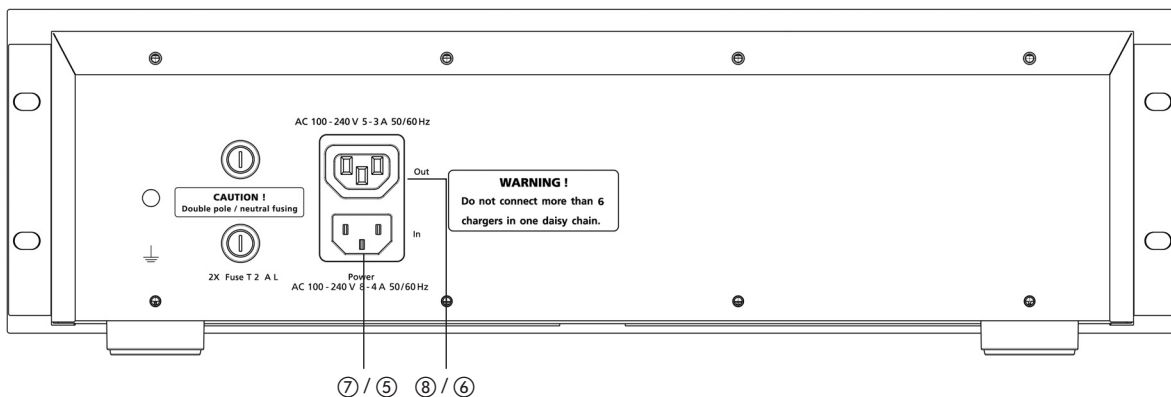
6.3 Power supply

Synexis C8 / C10

- Connect the Synexis C8 ⑦ or C10 ⑤ charger to AC power.
- The charger has no separate on/off switch and is ready for operation when it is connected to AC power. If you would like to switch off the charger, disconnect it from the mains by pulling the power plug from the power socket.
- You can link a maximum of 6 chargers by connecting the first charger via the connection ⑦ or ⑤ to the connection ⑧ or ⑥ of the second charger and then connect the second charger via the mains connection ⑦ or ⑤ to AC power.

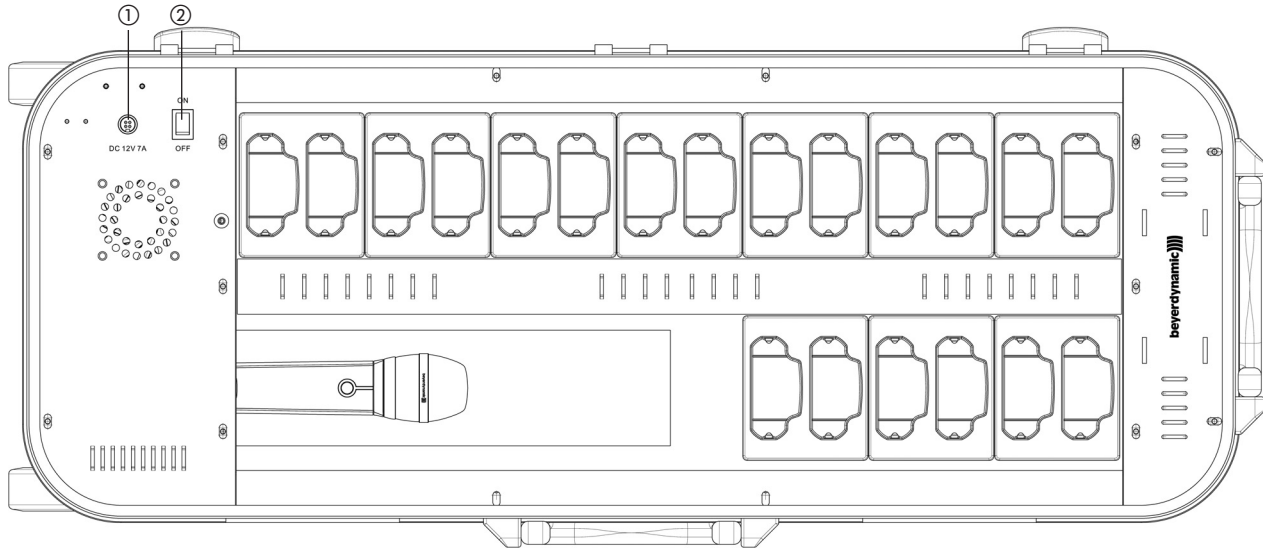
Note: For appropriate IEC-60320 C13/C14 power cord extensions, please contact your local dealer.

Synexis C8 / C10

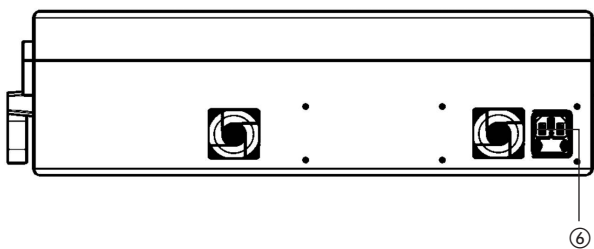


Synexis C20

- Put the case horizontally down and open the cover all the way to the stop.
- Connect the power adapter to the Synexis C20 charger ① and to AC power.
- Switch on the charger with the power on switch ②.

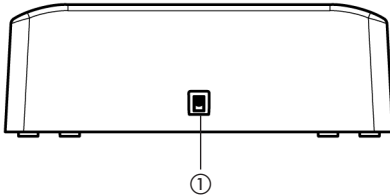
Synexis C20**Synexis C30**

- Connect the Synexis C30 charger ⑥ to AC power.
- The charger has no separate on/off switch and is ready for operation when it is connected to AC power. If you would like to switch off the charger, disconnect it from the mains by pulling the power plug from the power socket.
- If you would like to charge the handheld transmitter, connect the optional charging compartment in the case.

Synexis C30

Synexis CHP

- Connect the power adapter to the Synexis CHP charger ① and to AC power.
- The charger has no separate on/off switch and is ready for operation when it is connected to AC power. If you would like to switch off the charger, disconnect it from the mains by pulling the power adapter from the power socket.

Synexis CHP**6.4 Charging**

- When the Synexis beltpack receivers / beltpack transmitters are equipped with rechargeable batteries, put them into the appropriate charging compartments of the Synexis C8, C10, C20, C30 or CHP charger.
- When the Synexis handheld transmitter is equipped with rechargeable batteries, you can recharge it in the appropriate charging compartment of the Synexis C8, C20 (display and mute button point upwards) or CHP charger (refer to the appropriate drawing). For the Synexis C30 charging case there is an optional compartment available to charge the handheld transmitter. This compartment is connected in the case.
- The charging process starts automatically.
- The LED of the beltpack receiver and transmitter indicates the charging state of the batteries.
- To indicate the charging state of the batteries inside the handheld transmitter there is an LED ① above the charging compartment ② of the Synexis C8 charger.

LED is flashing blue:	The batteries are being charged
LED illuminates blue:	The batteries are fully charged
LED is flashing red:	Error (no or defective rechargeable batteries or accidental attempt to charge alkaline batteries)

6.5 Maintenance

- For maintenance and cleaning disconnect the charger from AC power.
- In order to ensure a perfect function, keep the contacts in the charging compartments clean.
- Clean the charger with a dry cloth only.
- When the housing or the power cable is damaged, the charger must not be put into operation.

6.6 Charging capacity and memory effect

- A rechargeable battery achieves its full capacity after several times of charging and discharging.

Note:

- Furthermore, significance levels are integrated such as dU-recognition, supervision of voltage gradient, temperature and safety timer.

7. General instructions for a trouble-free operation

- Make sure that the transmitter and receiver are on the same frequency.
- Check the batteries and replace or recharge them if necessary.
- The transmission range depends on various factors such as local, constructional conditions. It can be reduced due to shadowing effects of metal partitions (e.g. in lifts), high production machinery and reflections from metallic objects. Taking all negative circumstances into account, the average transmission range is between 30 and 50 m.
In practice the group should not have more than 30 participants, as the length of the group could extend beyond the transmission range of the system. Furthermore, the group should be kept within optical vision for safety reasons.
- To avoid popping try holding the Synexis TH8 microphone at a slight angle below the mouth.
- Blowing into the microphone to check that it is working can cause serious damage. Speaking a few words or counting is recommended.

8. Trouble shooting

Problem	Possible cause	Solution
Transmitter does not work	<ul style="list-style-type: none"> • Transmitter and receiver have different frequencies • Microphone is muted • Microphone is not properly connected to the Synexis TP8 beltback transmitter • Insufficient battery voltage • Poor battery contact, batteries inserted incorrectly 	<ul style="list-style-type: none"> • Check if transmitter and receiver have the same frequency. Adjust the same frequency with the channel selector switch. • Activate the microphone by turning off the mute function. • Connect the microphone properly to the Synexis TP8 beltback transmitter. • Replace the alkaline batteries or recharge the rechargeable batteries. • Check the batteries and insert them again.
Noise / chirping	<ul style="list-style-type: none"> • Two transmitters on the same frequency • Interference from other transmitters 	<ul style="list-style-type: none"> • Change the frequency of one transmitter. • Switch off the other transmitters.
Receiver does not work	<ul style="list-style-type: none"> • Batteries are empty or headphone is defective • Headphone is not connected properly to the receiver • Transmitter and receiver have different frequencies 	<ul style="list-style-type: none"> • Recharge / replace batteries or try another headphone. • Make sure that the headphone is connected properly. • Check if transmitter and receiver have the same frequency. Adjust the same frequency with the channel selector switch.
No reception	<ul style="list-style-type: none"> • Distance between transmitter and receiver is too long • Transmitter is not switched on • Transmitter works on a different frequency • No microphone connected to beltback transmitter 	<ul style="list-style-type: none"> • Reduce the distance between transmitter and receiver. • Switch on the transmitter. • Make sure that transmitter and receiver are on the same frequency. • Connect suitable microphone.

9. Components

Synexis RP8	Beltpack receiver, frequency range 8xx MHz	Order # 722.308
Synexis TH8	Handheld transmitter, frequency range 8xx MHz.	Order # 722.316
Synexis TP8	Beltpack transmitter, frequency range 8xx MHz	Order # 722.332
Synexis TS8	Stationary transmitter, frequency range 8xx MHz	Order # 722.324
Synexis C8	Charger with 1 charging compartment for handheld transmitter, 8 charging compartments for beltpack transmitters/receivers	Order # 721.506
Synexis C10	Charger with 10 charging compartments for beltpack transmitters/receivers.	Order # 722.294
Synexis C20	Charging case with 1 charging compartment for handheld transmitter, 20 charging compartments for beltpack transmitters/receivers	Order # 721.514
Synexis C30	Charging case with 30 charging compartments for beltpack transmitters/receivers and 1 charging compartment for handheld transmitter (optional)	Order # 723.754
Synexis CHP	Charger with 2 charging compartments for handheld transmitter, beltpack transmitter or beltpack receiver	Order # 721.522

10. Supplied accessories

Synexis RP8 receiver / Synexis TH8, TP8 transmitter

2 x NiMH rechargeable batteries (2050 mAh)

Synexis TS8 stationary transmitter

Power adapter

Rod antenna

19" mounting kit including connecting cables for antenna connection on the front

Synexis C8, C10, C30 charger

Power cable

Power cord extension (Synexis C8 and C10)

Shoulder strap (Synexis C30)

Synexis CHP, C20 charger

Power adapter with multi-function connector

11. Optional accessories

Synexis RP8 receiver

DT 1 S	Single-ear-phone, 32 Ω , stereo mini jack (3.5 mm), cable length 0.8 m (2.6 ft.)	Order # 724.165
DT 2	Headphone, 32 Ω , stereo mini jack (3.5 mm), cable length 0.8 m (2.6 ft.)	Order # 484.679
DT 3	Headphone, 32 Ω , stereo mini jack (3.5 mm), cable length 0.8 m (2.6 ft.)	Order # 484.571
Synexis IL100	Induction loop, 1 m (0.3 ft).	Order # 722.944

Synexis TH8 handheld transmitter

MKV 11	Microphone clamp for stand-mounting the handheld transmitter.	Order # 407.232
GST 400	Microphone stand, 3/8", height 0.90 to 1.65 m (2.95 - 5.41 ft.), with G 400 boom	Order # 421.294
GST 400	Microphone stand, 5/8", height 0.90 to 1.65 m (2.95 - 5.41 ft.), with G 400 boom	Order # 423.130
GST 500	Microphone stand, 3/8", height 0.80 to 1.60 m (2.79 - 5.25 ft.), with telescopic G 500 boom	Order # 406.252
GST 500	Microphone stand, 5/8", height 0.80 to 1.60 m (2.79 - 5.25 ft.), with telescopic G 500 boom	Order # 406.945
ST 232	Desk stand, 3/8", height 165 mm (6.5"), diameter 130 mm (5")	Order # 273.309
ST 600	Stand, 3/8", height 0.87 - 1.575 m (2.85 - 5.17 ft.), with heavy base plate	Order # 421.316
WS 59 AZ	Wind shield, charcoal grey (also available in blue, green, yellow, red and white)	Order # 419.087
ZUV 85	Holding sling	Order # 248.509

Synexis TP8 beltpack transmitter

MCE 10.18	Condenser lavalier microphone, hypercardioid, 4-pin female mini XLR connector, black.	Order # 471.895
TG L55c	Mini condenser lavalier microphone, omnidirectional, waterproof, 4-pin female mini XLR connector, black.	Order # 707.201
TG L55c tan	same as above, but beige.	Order # 707.228
TG H74c	Neckworn microphone, condenser, cardioid, 4-pin female mini XLR connector, black	Order # 707.090
TG H74c tan	same as above, but beige	Order # 707.104
TG H75c	Neckworn microphone, condenser, omnidirectional, waterproof, 4-pin female mini XLR connector, black.	Order # 707.112
TG H75c tan	same as above, but beige	Order # 707.120
PEM 10.18 SC	Earworn cardioid condenser microphone, 4-pin mini XLR connection, with pop shield, beige	Order # 485.020
PEM 60.18 SC	Earworn omnidirectional condenser microphone, 4-pin mini XLR connection, with pop shield, beige	Order # 485.004

Synexis C30 charger

Synexis CTH 30	Charging compartment for handheld transmitter	Order # 723.762
----------------	---	-----------------

12. Frequencies

Channel display	Frequency
1	863.15 MHz*
2	863.35 MHz
3	863.65 MHz*
4	864.05 MHz*
5	864.35 MHz*
6	864.55 MHz*
7	864.85 MHz*
8	863.25 MHz
9	863.55 MHz
10	863.75 MHz
11	864.45 MHz
12	864.15 MHz
13	864.65 MHz
14	863.45 MHz*
15	863.95 MHz
16	864.25 MHz*
17	864.75 MHz
18	863.85 MHz*

* = Suggested frequencies for simultaneous operation with optimal RF environments.

13. Technical specifications

Synexis RP8 beltpack receiver

Oscillation type	PLL single channel
Carrier frequency	863.15 - 864.85 MHz
Adjustable frequencies	18 pre-programmed, switchable frequencies
Switching bandwidth	max. 2 MHz
Modulation	FM
Double intermediate frequency	130.06 MHz and 10.7 MHz
DC current (no load)	70 ± 10 mA at 2.4 V
Adjacent channel performance	> 65 dB at 150 kHz
Image rejection	> 60 dB
IMD rejection	> 60 dB
RF spurious rejection	> 60 dB
Earphone output level	900 ±50 mV at f = 1 kHz, mod = 9 kHz
T.H.D.	< 1.5%
SNR	> 65 dB
Sensitivity	SINAD > 20 dB at -105 ± 2 dBm
Squelch adjust OFF	-105 ±2 dBm
Earphone connector	3.5 mm mini jack socket for mono or stereo
Frequency response	70 Hz - 13 kHz with TP8
Operating range	100 m with TP8 (open field)
Ambient temperature	-10 °C to +50 °C [14 to 122 °F]
OLED display	Channel, Frequency, Battery, Lock
LED display	RF ok = blue no signal = red Charging = blue slow flashing 0.5 Hz Full/trickle charging = steady blue Error = red fast flashing 7 Hz
Battery	1.2 V (Ni-MH 2100 mAh) x 2 AA type, rechargeable
Operating time	20 hours
According to regulation	EN301357
Abmessungen (L x B x H)	102.8 x 67.7 x 31.7 mm [4" x 2.7" x 1.2"]
Weight	90 g [0.2 lbs]

Synexis TH8 handheld transmitter

Oscillation type	PLL synthesised control OSC
Carrier frequency	863.15 - 864.85 MHz
Adjustable frequencies	18 pre-programmed, switchable frequencies
Microphone	Condenser capsule
Type of emission	FM
DC current	165 ±10 mA at 2.4 V
RF output power	10 mW (ERP)
Max. modulation	45 kHz with level limiting
Modulation	Hi level: 14 ±1 kHz at Mic Input -40 dBv, f = 1 kHz Low level: 8 ±1 kHz
Compander system	Compander and ALC
Frequency response	70 Hz - 13 kHz with RP8
SINAD	> 40 dB at f = 1 kHz, Mic In = -30 dBv, Hi level
T.H.D.	< 1%
Tone output frequency	38 kHz
Tone output modulation	2.5 ± 0.5 kHz
Mute mode	PTT / PTM / MTG
Battery	1.2 V (Ni-MH 2100 mAh) x 2 AA type, rechargeable
Operating time	12 hours
Operating range	100 m with RP8 (open field)
Ambient temperature	-10 °C to +50 °C [14 to 122 °F]
OLED display	Battery, Channel, Frequency, Mute
LED display	Mute = red flash 1 Hz Talk = blue Charging = blue slowly flashing 0.5 Hz Full/trickle charging = steady blue Error = red fast flashing 7 Hz
According to regulation	EN301357
Dimensions	
Diameter	47.7 mm [1.9"]
Height	262 mm [10.3"]
Weight (without batteries)	200 g [0.4 lbs]

Synexis TP8 beltpack transmitter

Oscillation type	PLL synthesised control QSC
Carrier frequency	863.15 - 864.85 MHz
Adjustable frequencies	18 pre-programmed, switchable frequencies
Type of emission	FM
DC current	175 ±10 mA at 2.4 V
RF output power	10 mW (ERP)
Max. modulation	45 kHz with level limiting
Microphone modulation output	Hi level: 14 ±1 kHz at Mic. Input -40 dBv, f = 1 kHz Mid level: 10.8 ±1 kHz Low level: 8 ±1 kHz
AUX modulation output	13.6 ±1 kHz at Input -10 dBv, f = 1 kHz
Compander system	Compander and ALC
Frequency response	70 Hz - 13 kHz with RP8
SINAD	> 40 dB at f = 1 kHz, Mic In = -30 dBv, Hi level
T.H.D.	< 1%
Tone output frequency	38 kHz
Tone output modulation	2.5 ± 0.5 kHz
Battery	1.2 V (Ni-MH 2100 mAh) x 2 AA type, rechargeable
Operating time	12 hours
Microphone connector	Mic In: Mini XLR 4-pin Aux In: 3.5 mm mini jack socket for mono or stereo
Operating range	100 m with RP8 (open field)
Ambient temperature	-10 °C to +50 °C [14 to 122 °F]
OLED display	Battery, Channel, Frequency, Mute, Lock
LED display	On = blue Mute = red flash 1 Hz Charging = blue slow flashing 0.5 Hz Full/trickle charging = steady blue Error = red fast flashing 7 Hz
According to regulation	EN301357
Dimensions (L x W x H)	93 x 67 x 31,7 mm [3.7" x 2.6" x 1.2"]
Weight	90 g [0.2 lbs]

Synexis TS8 stationary transmitter

Oscillation type	PLL synthesised control OSC
Carrier frequency	863.15 - 864.85 MHz
Adjustable frequencies	18 pre-programmed, switchable frequencies
Type of emission	FM
Max. modulation	45 kHz with level limiting
RF output power**	Lo: 10 mW (ERP) / Hi: 100 mW (ERP)
Compander system	Compander and ALC
T.H.D.	< 1%
SINAD	> 40 dB at f = 1 kHz, Mic In = -30 dBv, Hi level
Modulation	15.6 ±1 kHz bei f = 1 kHz, Mic In = -40 dBv
Dynamic range	80 dB
Preemphasis	50 µs
Tone frequency	38 kHz
Power requirement	DC adaptor 12 - 15 V, 500 mA
Input / output	MIC (balanced / unbalanced), AUX, Phone
Headphone connection*	1/4" jack (6.35 mm)
Controls volume	Power, Aux / Vol., Mic / Vol., Phone / Vol.
Frequency response	70 Hz - 13 kHz with RP8
Operating range	Hi: 120 m / Low: 50 m with RP8 (open field)
Ambient temperature	-10 °C to +50 °C [14 to 122 °F]
OLED display	Battery, Frequency, Audio level, Lock
According to regulation	EN 301357
Dimensions (L x W x H)	209 x 215 x 51 mm [8.3" x 8.5" x 2"]
Weight	approx. 1.7 kg [3.75 lbs]

*In order to change the transmitter internally to "Aux", please contact the Service department at beyerdynamic.

**In order to change the RF output power internally, please contact the Service department at beyerdynamic. Please note the country-specific regulations.

Synexis C8 charger

AC input	100 - 240 V, 50/60 Hz
Fuse	2 x T 2A L 250V
Connection	AC input and AC output socket
Switching power supply input	100 - 240 V AC, 50/60 Hz
Switching power supply output	5 V DC, 12 A
Full loading current	555 mA (115 V) / 340 mA (230 V)
Power consumption	max. 25 W
Max. charging time	approx. 5 hours
Ambient temperature	-5 to +40 °C [23 - 104 °F]
Dimensions (W x D x H)	482 x 239.6 x 141.9 mm [19" x 9.4" x 5.6"]
Weight	5.26 kg [11.6 lbs]
Charging compartments	8 for beltpack transmitter/receiver, 1 for handheld transmitter
LED charging indicator for handheld microphone	

Synexis C10 charger

AC input	100 - 240 V, 50/60 Hz
Fuse	2 x T 2A L 250V
Connection	AC input and AC output socket
Switching power supply input	100 - 240 V AC, 50/60 Hz
Switching power supply output	5 V DC, 12 A
Full loading current	593 mA (115 V) / 356 mA (230 V)
Power consumption	max. 28 W
Max. charging time	approx. 5 hours
Ambient temperature	-5 to +40 °C [23 - 104 °F]
Dimensions (W x D x H)	482 x 239.6 x 141.9 mm [19" x 9.4" x 5.6"]
Weight	4.67 kg [10.3 lbs]
Charging compartments	10 for beltpack transmitter/receiver
LED power indicator	

Synexis C20 charger

Power adapter input	AC 100 - 240 V, 50/60 Hz
Power adapter output	DC 12 V, 7 A
Power consumption	max. 54 W
Max. charging time	approx. 5 hours
Ambient temperature	-5 to +40 °C [23 - 104 °F]
Dimensions (W x D x H)	874 x 359 x 227.5 mm [34.4" x 14.1" x 9"]
Weight	11.6 kg [25.6 lbs]
Charging compartments	20 for beltpack transmitter/receiver, 1 for handheld transmitter
LED power indicator	

Synexis C30 charger

AC input	100 - 240 V, 50/60 Hz
Fuse	2 x F 4A L 250V
Full loading current	2.2 A
Power consumption	max. 75 W (incl. CTH 30)
Max. charging time	5 hours
Ambient temperature	-5 to +40 °C [23 - 104 °F]
Dimensions, incl. handle, base (W x D x H)	540 x 145 x 475 mm [21.3" x 5.7" x 18.7"]
Weight	5,7 kg [12.6 lbs]
Charging compartments	30 for beltpack transmitter/receiver, 1 for handheld transmitter (optional)

Synexis CHP charger

Power adapter input	AC 100 - 240 V / 47 - 63 Hz
Power adapter output	DC 5 V / 2.5 A, 12.5 W (max.)
Charging current per socket	430 - 470 mA
Power consumption	max. 6 W
Max. charging time	approx. 5 hours
Ambient temperature	-5 to +40 °C [23 - 104 °F]
Dimensions (W x D x H)	210 x 106 x 71.4 mm [8.3" x 4.2" x 2.8"]
Weight (without power adapter)	1.04 kg [2.3 lbs]
Charging compartments	2 for handheld transmitter, beltpack transmitter / receiverLED power indicator

beyerdynamic))))

beyerdynamic GmbH & Co. KG
Theresienstr. 8 | 74072 Heilbronn – Germany
Tel. +49 (0) 7131 / 617 - 0 | Fax +49 (0) 7131 / 617 - 204
info@beyerdynamic.de | www.beyerdynamic.com

Weitere Vertriebspartner weltweit finden Sie unter www.beyerdynamic.com
For further distributors worldwide, please go to www.beyerdynamic.com

