



# Four (4) fibers Detachable HDMI Extender



## User's Manual for the HDFX-150-TR



### Manual Contents

---

Manual Contents	1-0
Welcome! Product Description	1-1
System Requirements for Setup	1-2
Installation	1-3
Troubleshooting	1-5
Maintenance, Technical Support, and Service	1-6
Product Specifications	1-7
Warranty Information	1-8

### Pictorials

Figure 1 – Overall Connection of HDFX-150-TR	1-1
Figure 2 – Position of the LED	1-3
Figure 3 – Fiber numbering & Caution on both fiber ports	1-3
Figure 4 – Connection of optical fiber	1-4

## Welcome!

Congratulations on your purchase of the Four (4) fibers HDMI extender, HDFX-150-TR. This manual contains information that will assist you in installing and operating the product.

## Product Description

New optical HDMI extender, HDFX-150-TR is designed compact enough to be fitted into various installation environments, and enables to transmit WUXGA (1920x1200) or 1080p at 60Hz signal up to 300m (985feet) over four (4) LC multi-mode fibers, avoiding any tricks like scaling or data compression for lessening a burden of data transmission and supports 3D contents transmission.

The pure fiber connection by four (4) LC fibers connector between transmitter and receiver, gives clean, secure and easy installation with perfect electrical isolation, but without electrical hazard and interference. The HDFX-150-TR can be operated by either USB power by USB to DC plug cable or 5V DC power adapter included as a shipping group.

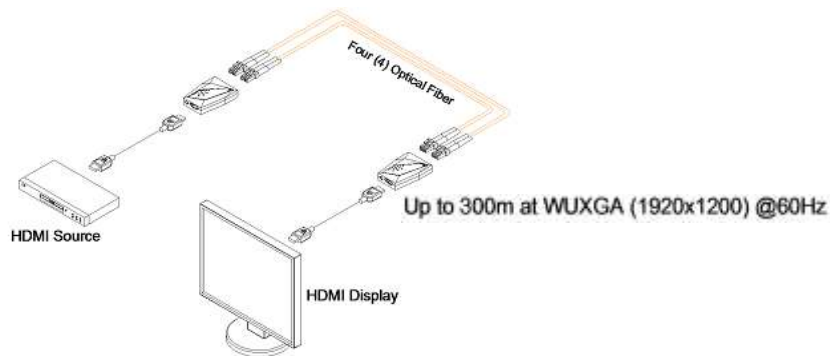


Figure 1 – Overall Connection of HDFX-150-TR

### The Shipping Group of HDFX-150-TR;

- One (1) Transmitter (Tx) and One (1) Receiver (Rx)
- Two (2) HDMI copper cables (0.5m)
- Two (2) USB to DC plug Cables
- Two (2) DC +5V,1A power adapter
- User's Manual
- Option Product:** LC Multi-mode fiber

## System Requirements for Setup

- Hardware requirements**
  - DVD, Blu-Ray or media receiver with standard HDMI ports.
  - PC with HDMI port regardless of OS version.
  - Only HDMI TVs or monitors are applicable.
  - Proper initial trial of the entire platform with its application using a short length copper cable is recommended prior to install with the optical link.
- Software requirements**
  - No special needs, but make sure that media contents protected by HDCP should be played with HDCP certified players and TVs.
- Power Technical Advisory**
  - Enclosed 5V DC Power Adaptor and USB to DC plug cables supply power to both Transmitter and Receiver.
- Connection Advisory**
  - It is highly recommend that HDMI media source is directly connected into HDMI display output via HDFX-150-TR without connection to incompatible distributor, switcher and selector.

## Installation

**Important: Please keep the installation procedure below. Improper or no operation may result if the start-up sequence is not correctly followed.**

### Step 1

Carefully unpack the contents in the shipping group.

### Step 2

Power on the HDMI source and display. Power on both transmitter and receiver by using either USB power by USB to DC plug cable or 5V DC power adapter.

### Step 3

Then, the LED (Green color) will begin to blink three (3) times per second regularly on both sides.

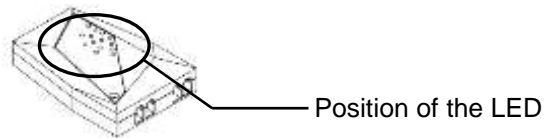


Figure 2 – Position of the LED

### Step 4

Connect four (4) LC optical fibers between the transmitter and the receiver and each fiber channel shall be connected as A to A and B to B carefully. Ensure the connectors are fully engaged and then, the top LED (Green color) will begin to blink regularly.

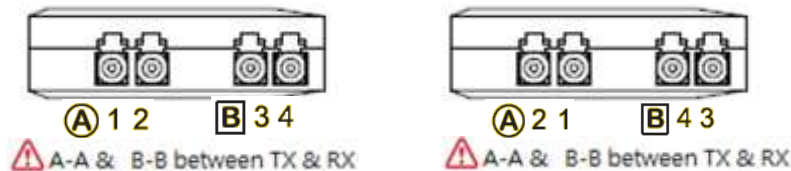


Fig Figure 3 – Fiber numbering & Caution on both fiber ports

**Note 1:** The maximum extension length by multi-mode fiber is 300 meters.

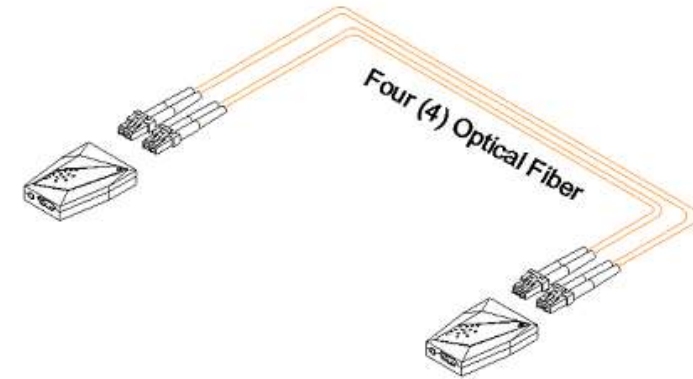


Fig Figure 4 – Connection of optical fiber

### Step 5

Connect the transmitter to the HDMI source by supplied HDMI copper cable.

### Step 6

Connect the receiver to the HDMI display over HDMI copper cable.

**Note 2:** Be recommended NOT to use any other intermediate cables or adapters between source and transmitter and display and receiver except the supplied cable to avoid undesirable performance degradation.

**Note 3:** If the connectors are fully engaged, the bottom LED (Green color) will turn on.

### Step 7

If the system does not work properly, go to the page 1-5 trouble shooting.

## Troubleshooting

### The display shows only black screen.

- Ensure that all plugs and jacks used by USB to DC plug cables or DC power adapter are firmly connected. Ensure that the LED ON.
- Ensure that the HDMI ports are firmly plugged in to the source and display.
- Ensure that the transmitter and receiver modules plugged correctly to the source and display respectively.
- Check if the HDMI source and display are powered on and properly booted.
- Reset the system by de-plugging and re-plugging the transmitter HDMI port or receiver HDMI port, or by de-plugging and re-plugging the USB to DC plug cables that are plugged to transmitter and receiver module
- Re-boot up the system while connecting the module.

### Screen is distorted or displays noises.

- Check if the graphic resolution is properly set. Go to the display properties and tap the settings. Ensure that the resolution sets less than WUXGA (1920x1200) at 60Hz refresh ratio.
- Reset the system.
- Power down, disconnect and reconnect the optical system cable or DC power adaptors, and power up.

## Maintenance

No special maintenance is required for the optical system cables and power supplies. Ensure that the cables and power modules are stored or used in a benign environment free from liquid or dirt contamination.

There are no user serviceable parts. Refer all service and repair issues to Opticis or its authorized distributor.

## Technical Support and Service

For commercial or general product support, contact your reseller. For technical service, contact Opticis by email [techsupp@opticis.com](mailto:techsupp@opticis.com) or visit its website at [www.opticis.com](http://www.opticis.com).

## Product Specifications

- **Compliance with HDMI standard:** supports HDMI 1.3a up to 36-bit in color depth, using fiber-optic communication link and fully function in HDCP.
- **Extension limit:**
  - 300 meters (985feet) for WUXGA (1920x1200) or 1080p at 60Hz refresh rate over four (4) LC multi-mode fibers (50/125um).
- Supports 3D contents transmission.
- Complies with CEC, EDID & HDCP.
- Supports Auto-power switching (Tx)
- **Mechanical specifications of Tx and Rx boxes**
  - **Dimensions**(WDH): 67mm x 46mm x 14mm
- **Environmental Specifications**
  - Operating temperature: 0°C to 50°C
  - Storage temperature: -30°C to 70°C
  - Humidity: 10% to 85%
- **Certifications: CE / FCC, Class 1 Laser Eye Safety**

### AC/DC Power Adapter

- **Power Input:** AC 100-240V, 50/60Hz.
- **Power Output:** +5 V, 1A SMPS DC-power Adapter
- **Cord DC Jack:** Core is + 5 V and outer is GND.
- **Certification:** FCC, CE

## 1-7 Product Specifications

## Warranty Information

### 1 (One) Year Warranty

Opticis warrants this optical HDMI module to be free from defects in workmanship and materials, under normal use and service, for a period of one (1) year from the date of purchase from Opticis or its authorized resellers.

If a product does not work as warranted during the applicable warranty period, Opticis shall, at its option and expense, repair the defective product or part, deliver to customer an equivalent product or part to replace the defective item, or refund to customer the purchase price paid for the defective product.

All products that are replaced will become the property of Opticis.

Replacement products may be new or reconditioned.

Any replaced or repaired product or part has a ninety (90) day warranty or the remainder of the initial warranty period, whichever is longer.

Opticis shall not be responsible for any software, firmware, information, or memory data of customer contained in, stored on, or integrated with any products returned to Opticis for repair under warranty or not.

### Warranty Limitation and Exclusion

Opticis shall have no further obligation under the foregoing limited warranty if the product has been damaged due to abuse, misuse, neglect, accident, unusual physical or electrical stress, unauthorized modifications, tampering, alterations, or service other than by Opticis or its authorized agents, causes other than from ordinary use or failure to properly use the product in the application for which said product is intended.

### Dispose of Old Electrical & Electronic Equipment

(Applicable in the European Union and other European countries with separate systems)



This symbol on the product or on its packaging indicates that this product shall not be treated as household waste. Instead it shall be handed over to the applicable collection point for the recycling of electrical and electronic equipment. By ensuring this product is disposed of correctly, you will help prevent potential negative consequences for the environment and human health, which could otherwise be caused by inappropriate waste handling of this product.

The recycling of materials will help to conserve natural resources. For more detailed information about recycling of this product, please contact your local city office, your household waste disposal service or the shop where you purchased the product.

## 1-8 Warranty Information

## Opticis Locations

### **OPTICIS HQ**

Opticis Co., Ltd.

# 16Fl, Kins Tower,

8 Seongnam-daero, 331 beon-gil,

Bundang-gu ,

Sungnam-si, Gyunggi-do, 463-782

Rep. of Korea

Te l: +82 (31) 719-8033

Fax: +82 (31) 719-8032

[www.opticis.com](http://www.opticis.com)

For order support, please contact your Distributor or Reseller.

For technical support, check with the Opticis web site [www.opticis.com](http://www.opticis.com) or contact [techsupp@opticis.com](mailto:techsupp@opticis.com)