

Orbis CU

Digital Control Unit

Order # 725.692



Front view

Note: When activated only the selected menu items will illuminate white, not all of them



Optional CA-OR kit for 19" rack mounting – front view



Rear view



Optional CA-OR kit for 19" rack mounting – rear view

FEATURES

- Microphone units can be connected in two lines or in a ring
- Connection **with** redundancy for maximum reliability: max. 50 microphone units in a ring
- Connection **without** redundancy: max. 100 microphone units (50 per line)
- Power supply via external power supply unit (included with delivery)
- High-quality housing made of brushed aluminium
- Glass panel for operation and to display individual menus and a status line
- Rotary encoder to select and set menus
- Illuminated corona to display standby or operating mode
- Insertion for SD card and REC button to record audio signals
- Control and configuration of the microphone units
- Plug-in type inputs and outputs
- RS232 interface for control and configuration of the system
- Reset to restore the factory settings
- NOM function – max. Number of open Microphones, up to 8 microphone units can be allocated simultaneously
- Automatic audio channel allocation of the microphone units
- Fixed audio channel per chairman unit (max. 8)
- Operating modes:
 - Normal – each participant can turn the microphone on or off
 - Voice activation – the microphone is activated when someone speaks into it
 - FiFo – when the number of open microphones is exceeded, the microphone which was activated first, will be deactivated
- Plug-in connections on the rear:
 - 1x bal. audio master output via 3-pin XLR
 - 1x unbal. audio master output via RCA phono
 - 1x unbal. audio input via RCA phono
 - 1x RS232 via 9-pin Sub-D
 - 2 x microphone connections via RJ45; with CAT5e cables (S/UTP, AWG 26 or better)
- Desktop housing
- Dimensions (LxWxH) 183.8x194x73.5 mm [7.24"x7.64"x2.89"]

Orbis CU

DESCRIPTION

The Orbis conference system features a simple and intuitive operation as well as an easy setting up.

The Orbis CU control unit is used to control a maximum of 100 microphone units with loudspeakers which are connected in two lines to the control unit via RJ45 connections.

When connecting a maximum of 50 microphone units in a ring, the Orbis system provides maximum reliability due to redundancy, i.e. the microphone units are supplied with signals from two sides. Should a defect occur in the cables on one side, the microphone units are still supplied from the other side.

Depending on the selected setting and operating mode, a maximum of 8 microphone units (e.g. 7 delegate and 1 chairman unit) can be turned on simultaneously. One audio channel is permanently allocated to each chairman unit in the system so that a maximum of 8 chairman microphone units can be used in one system.

There is a continuous status check, monitoring or control via the data link to the microphone units. E.g. individual microphone units can be activated via the serial interface (RS232) or the whole discussion system can be turned on via a control command or the rotary encoder on the front.

The control unit can be connected to a media control system via the RS232 interface allowing a convenient operation and different status displays. Furthermore, the Orbis system can be integrated into tele or video conferencing systems.

The following operating modes can be selected on the control unit:

Normal

Each participant can turn on his/her microphone until the maximum number of open microphones is achieved.

Voice-controlled Activation

The microphone is automatically turned on when the participant speaks into it, until the number of open microphones is achieved.

FiFo

Each participant can turn on his/her microphone. If the selected number of open microphones (NOM) is exceeded, the microphone of the participant who turned on his/her microphone first is turned off when another participant turns on his/her microphone.

The rotary encoder allows an easy navigation through the different menus and settings in the individuals menus as well as configurations in conjunction with the REC button. Due to the illumination the user can see all functions at a glance.

An illuminated corona around the rotary encoder displays the operating or standby mode.

An SD card insertion and the REC button are used for recording a meeting. The recording time depends on the memory capacity of the SD card: per 1 GB approximately 4 hours of the meeting are recorded. The status line displays an external device connected to the RS232 interface, occurring errors, if a lock has been set and when updating the firmware. Each data file can have a maximum size of 2 GB, then another data file will be created.

By using the optional 19" rack adapter the Orbis CU control unit can also be mounted in a 19" rack.

Orbis CU

TECHNICAL SPECIFICATIONS

Power supply unit

Input voltage 100 V AC to 240 V AC
Input current 1.8 A
Power consumption 180 W
Power dissipation 30 W at max. load
Fuse electronically internal

Control unit

Input voltage 48 V DC
Current consumption 3.13 A
Power consumption 150 W
System connections 2 x RJ45 socket (not for Ethernet)
Analogue Audio In RCA phono socket
(mono/unbalanced)
max. level: +2.2dBu
Analogue Audio Out 1 x RCA phono socket
(mono/unbalanced)
max. level: +2.2dBu
1 x XLR (mono/balanced)
max. level: +6dBu
Frequency response 20 - 16,000 Hz
External control RS232 (max. 2 m at 115200 Baud)
Card reader SD card (max. 32 GB),
type: SDHC, FAT 32

Temperature range
Operation 0 °C to +40 °C [32 °F to 104 °F]
Storage/transport -10 °C to +50 °C [14 °F to 122 °F]
Dimensions (LxWxH) 183.8 x 194 x 73.5 mm
[7.24" x 7.64" x 2.89"]

Weight (without power supply unit) 1.79 kg [3.95 lbs]

Max. cable length
Line CU – MU 80 m [87.49 yd] with AWG 24
Max. cable length
Line MU – MU 80 m [87.49 yd] with AWG 24
Specification line cable CAT5e S/UTP, cross-section min.
AWG 26
Specification line connector RJ45 acc. to EIA/TIA 568 B, shielded

SUPPLIED ACCESSORY

Power supply unit 48 V DC, 3.31A

OPTIONAL ACCESSORIES

Cables

CA OC 1 System cable, Cat5 with
RJ45 connector, 1 m [3.28 ft] Order # 725.811
CA OC 2 same as above, but 2.5 m [8.20 ft] Order # 725.838
CA OC 5 same as above, but 5 m [16.4 ft] Order # 725.846
CA OC 10 same as above, but 10 m [32.81 ft] Order # 725.854
CA OC 20 same as above, but 20 m [65.62 ft] Order # 725.862
CA OC 50 same as above, but 50 m [54.68 yd] Order # 725.889

Rack kit

CA OR Rack kit for mounting Orbis CU
in a 19" rack Order # 725.978

ARCHITECT'S SPECIFICATIONS

Control unit of a digital wired discussion system. High-quality desktop housing with an aluminium frame and a real glass front. Optimised for stand alone operation or connection to an external media control system. The system can be controlled and configured via RS 232 interface.

Connection of microphone units in two lines or a ring using standard computer Cat5e cables (audio, control and voltage), specification: CAT5e SF/UTP min. AWG 26 acc. to TIA/EIA568-A or TIA/EIA568-B. A maximum of 100 microphone unit can be connected (50 per line) without redundancy or a maximum of 50 microphone units in a ring with redundancy for maximum operational reliability.

8 audio upstreams for a maximum of 8 microphone signals. 2 audio downstreams for loudspeaker transmission and headphone output. NOM - Number of open Microphones, up to 8 microphone units can be allocated simultaneously, one fixed audio channel per chairman microphone unit (max. 8). Processor-controlled and automatic audio channel allocation of the microphone units.

Flexible audio signal control e.g. for the connection of an external audio signal into the system, e.g. for tele or video conferencing, simultaneous translations or a foreign language etc.

Operating modes: Normal – each participant can turn the microphone on or off, Voice Activation – as soon as someone speaks into the microphone, it is turned on, FiFo – when the NOM is achieved and another microphone will be activated, the one that was activated first will be turned off.

OneButton Navigation - Intuitive configuration and control of the conference system via central rotary encoder to select and set menus on the glass front, clear display of the individual menus and the status bar, LED display (corona) of standby and operating mode. Integrated recording function with slot for SD card and REC button to record the audio signal on the front of the control unit.

Connections on the rear of the control unit are plug-in type: 1x bal. audio master output via 3-pin XLR (max. +6dBu), 1x unbal. audio master output via RCA/phono (max. +2.2dBu), 1x unbal. audio input via RCA/phono (max. +6dBu), 1x RS232 via 9-pin Sub-D, 2 x microphone unit connection via RJ45 with CAT5e cable.

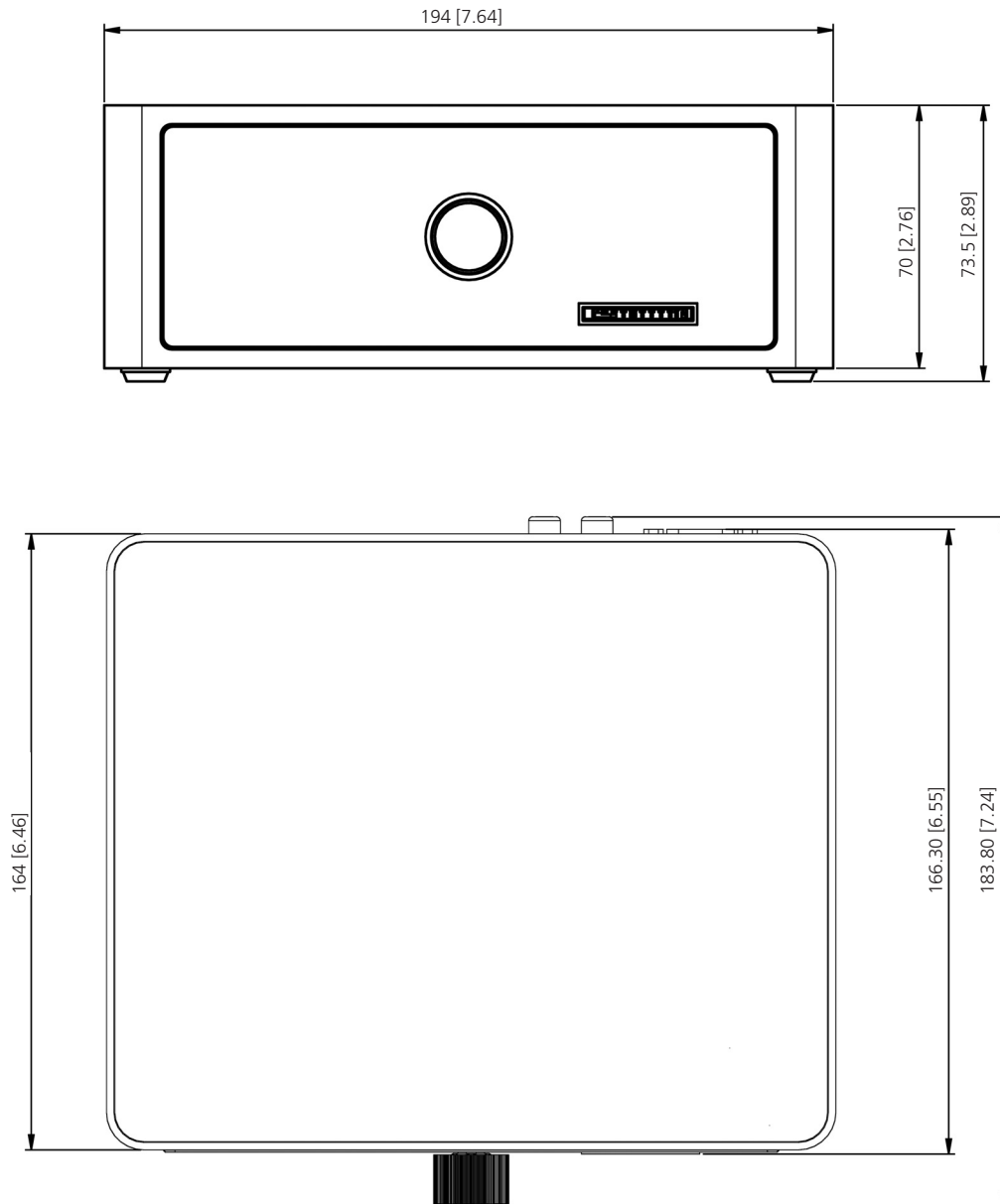
Power supply of the control unit via external power supply unit (48 V DC, 3.31A, included).

Dimensions (L x W x H) 183.8 x 194 x 73.5 mm, weight (without power supply unit) 1.79 kg.

Manufacturer: beyerdynamic
Type: Orbis CU

Orbis CU

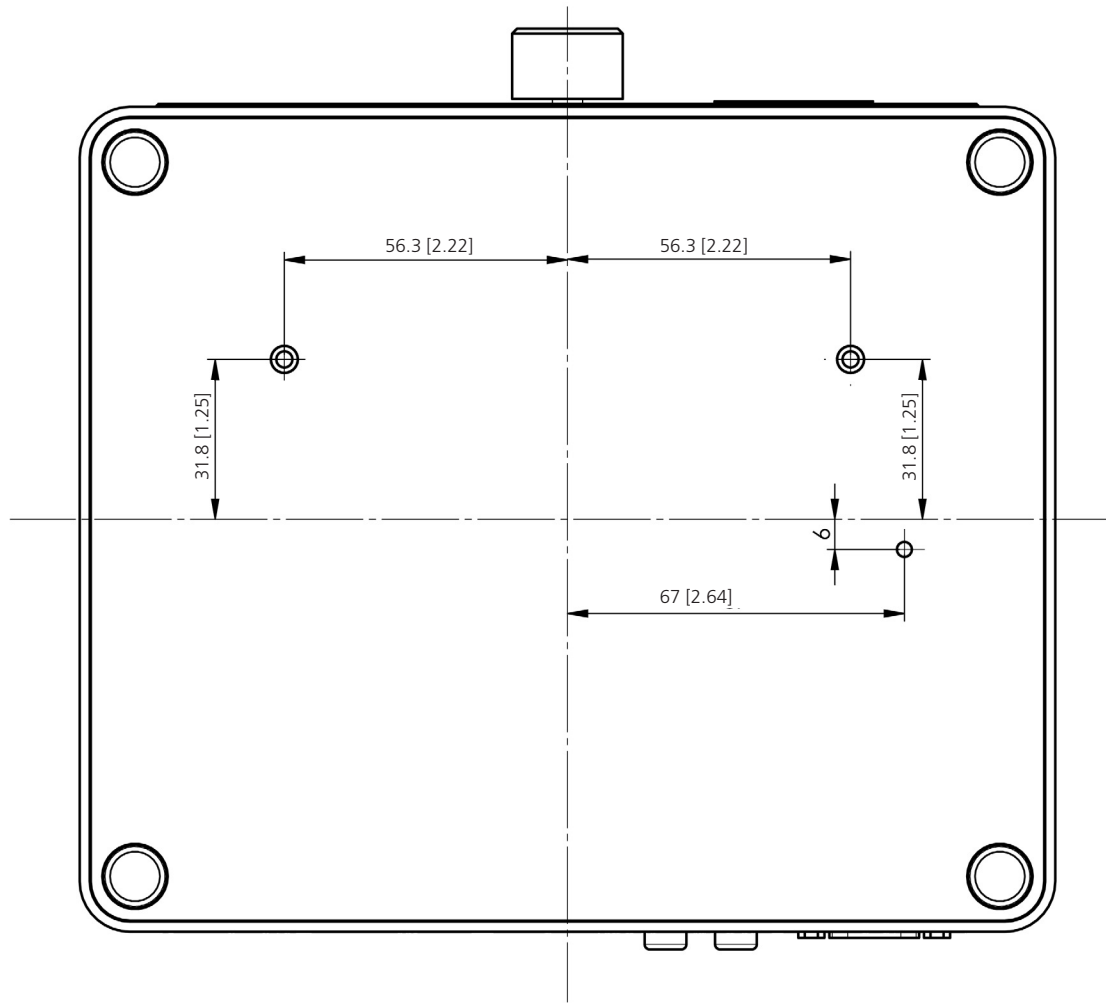
DIMENSIONS



All dimensions in mm and [inch]

Orbis CU

DIMENSIONS



All dimensions in mm and [inch]

5 of 5

beyerdynamic GmbH & Co. KG
Theresienstr. 8 | 74072 Heilbronn – Germany
Tel. +49 (0) 71 31 / 617 - 0 | Fax +49 (0) 71 31 / 617 - 204
info@beyerdynamic.de | www.beyerdynamic.com

For further distributors worldwide, please go to www.beyerdynamic.com
Non-contractual illustrations. Contents subject to change without notice. E1 / Orbis CU (01.15)

beyerdynamic 