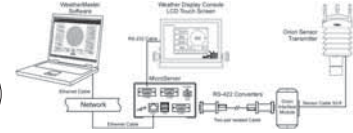




tasker® Code	Cond. number	Nominal section mm ²	Cond. Format. mm.	External Core Ø mm.	External Inner Sheath Ø mm.	External Cable Diameter mm.	Reel or Spool		
							mt.	Type	Kg.
C510	2x2	2 x 2 x 0,22 (24 AWG)	7x0,20	1,5		7,4	100		6,5

Applications:

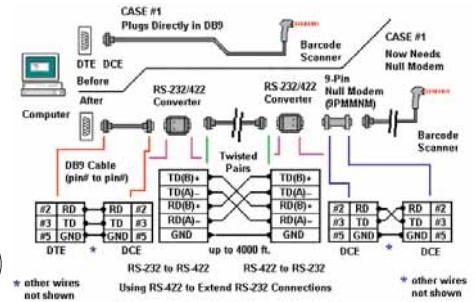


Conductor Resistance Ω/Km ± 5%	Capacity Core/core pF/mt	Capacity Core/shield pF/mt
90	50	100
Impedance Ω ± 5%	Max rated Voltage AC - V	Operative Temperature °C
100	49	-15 / +70



tasker® Code	Cond. number	Nominal section mm ²	Cond. Format. mm.	External Core Ø mm.	External Inner Sheath Ø mm.	External Cable Diameter mm.	Reel or Spool		
							mt.	Type	Kg.
C511	3x2	3 x 2 x 0,22 (24 AWG)	7x0,20	1,5		8,1	100		7,5

Applications:



Conductor Resistance Ω/Km ± 5%	Capacity Core/core pF/mt	Capacity Core/shield pF/mt
90	50	100
Impedance Ω ± 5%	Max rated Voltage AC - V	Operative Temperature °C
100	49	-15 / +70

Characteristics:

- Conductors: stranded in O.F.C. red copper
- Cond. insulation: PEE
- Pair colours: 1) Black-Red, 2) Black-White, 3) Black-Green, 4) Black-Blue
- Drain wire: stranded in O.F.C. tinned copper
- Individual Shield: Al/Pet tape covering 100% for each pair
- Total tape: transparent Polyester (Pet)
- External Sheath: Flame Retardant PVC
- Sheath colour: Grey

Product Description

Cables with individually shielded twisted pairs for electronic equipment interfaces conformed with standard EIA RS422. The serial data transmission RS422 is often used in IT and industrial environments, and for junction boxes or numerical control. These cables are suitable also for: security and video-surveillance, domotics, photovoltaic power systems, electronic equipments for wireless transmission, etc... Here the main features of these cables:

- twisting pair pitch, continuous and never less than 30 Twist/mt.
- typical ring colouring.
- presence of drain wire for soldering.
- double shielding, needed for the use in industrial environments.
- low pair capacity, for conductors insulation in PEE.
- characteristic impedance of 100 Ω.
- external sheath in Flame Retardant PVC.

Cables suitable for BROADCAST instruments in studios and digital direction for audio/video control.

Descrizione Prodotto

Cavi a coppie twistate singolarmente schermate per interfaccia di apparecchiature elettroniche conformi allo standard EIA RS422. Lo standard di trasmissione dati seriale RS 422 è spesso usato in ambiente informatico ed industriale e per centraline di comando e di controllo numerico. Questi cavi trovano applicazione anche per: impianti di sicurezza e videosorveglianza, domotica, impianti fotovoltaici, apparati elettronici per trasmissione wireless, ecc. Le caratteristiche principali di questi cavi sono:

- passo di twistatura delle coppie, costante e non inferiore ai 30 Twist/mt.
- presenza del filo di continuità e la schermatura a nastro di Alluminio individuale per ciascuna coppia.
- bassa capacità di coppia ed isolamenti dei conduttori in PEE.
- impedenza caratteristica di 100 Ω.
- guaina esterna in PVC Flame Retardant.

Cavi adatti anche per strumentazioni BROADCAST in studios e regie digitali di controllo audio/video.