



Aeon Series

Fixed-Frame Projection Screen

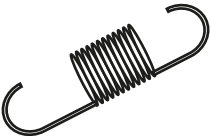
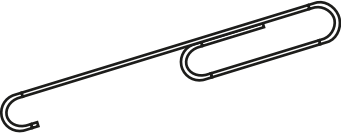

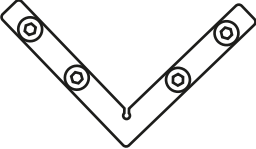


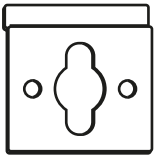
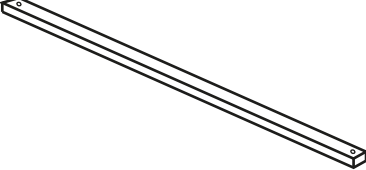




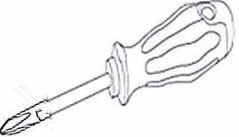
User's Guide Version 3 (Spring Type)

Thank you for choosing the Aeon Series projection screen! Please read through this user guide before utilizing the screen. Correct usage and maintenance will ensure a long product life.


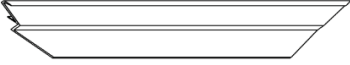

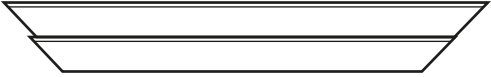

Care & Use Instructions

Dust, dirt and scratches on the projection surface will affect the picture quality, please take note of the points below to prevent that from occurring:

1. Do not touch the projection surface with your hands
2. Do not write or draw on the projection surface
3. Do not use fingers or sharp objects to point on the projection surface; this will damage the screen material.
4. Use a soft-damp cloth to clean the projection surface; do not use chemical cleaning agents or alcohol.
5. Use clean water when dampening the cleaning cloth and do not rub against the material to clean it.

Hardware Parts List			
<p>a. Spring</p> 	<p>b. Spring Hook</p> 	<p>c. Allen wrench</p> 	
<p>d. Elbow Joints</p> 	<p>e. Center Joints</p> 	<p>f. Hollow Wall Anchors</p> 	
<p>g. Top/Bottom Wall Brackets</p> 	<p>h. Center Support Bar</p> 	<p>i. Tension Rods</p> 	
<p>j. M5x40 Screws</p> 	<p>k. M4x12 Screws</p> 	<p>l. M5x12 Screw</p> 	<p>m. Screwdriver</p> 

Note: The Parts list above is subject to change without notice.

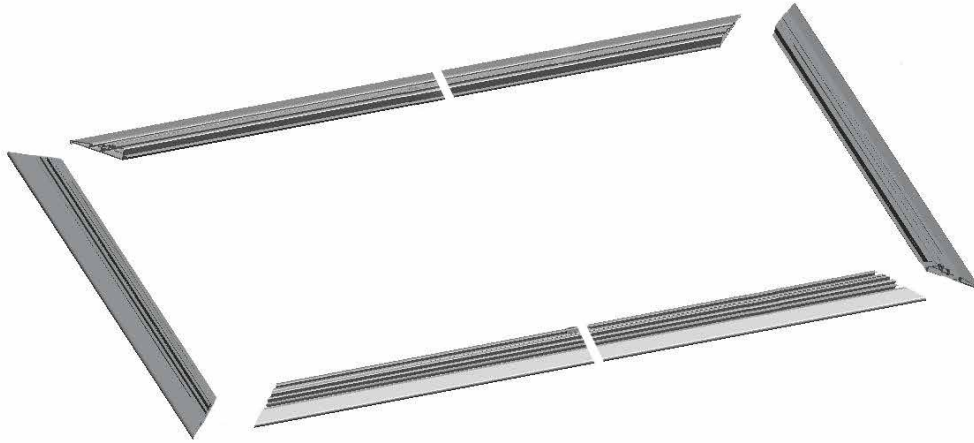
Frame and Edge Trim Parts List			
Qty Item	Main Frame Parts	Qty Item	Edge Trim Parts
2 pcs	Vertical Frame 	2 pcs	
2 pcs	1/2 Horizontal Frame 	2 pcs	
2 pcs	1/2 Horizontal Frame 		

Item	Parts List	100"	110"	120"	135"	150"	180"
a.	Spring	38	44	44	50	56	66
b.	Spring Hook	1	1	1	1	1	1
c.	Allen Wrench	1	1	1	1	1	1
d.	Elbow Joints	8	8	8	8	8	8
e.	Center Joints	4	4	4	4	4	4
f.	Hollow Wall Anchors	4	4	4	4	4	4
g.	Wall Brackets	6	6	6	6	6	10
h.	Center Support Bar	1	1	1	1	1	3
i.	Tension Rods	6	6	6	6	6	6
j.	M5x40 Screws	4	4	4	4	4	4
k.	M4x12 Screws	4	4	4	4	4	12
l.	M5x12 Screws	12	12	12	12	12	12
m.	Screwdriver	1	1	1	1	1	1

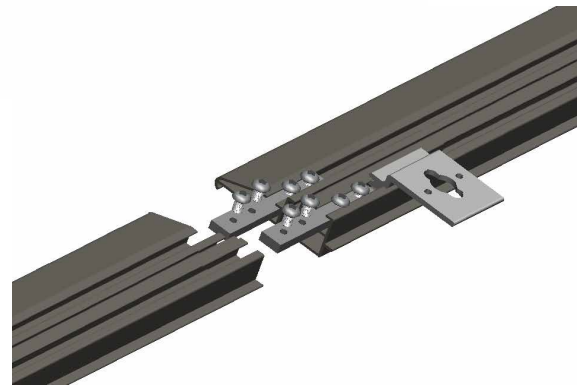
Frame Assembly

Step 1. Place a soft-clean cloth on the ground or other flat surface of the area where the screen will be assembled.

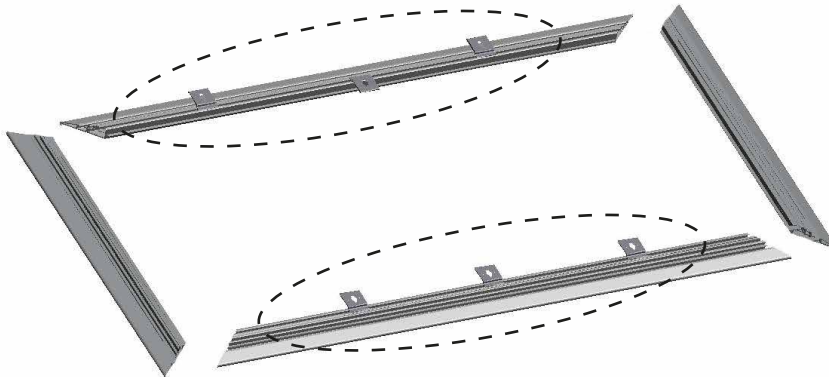
Step 2. Position the pieces of the frame face-down on the soft-clean cloth in the arrangement shown below.



Step 3. Insert the *Center Joint (e)* connectors into one-half of the horizontal frame and secure with two screws. Once secure, connect the other half of the horizontal frame and fasten with two screws. **NOTE: Make sure to insert 3 brackets (g) on each of the horizontal frames (Top and bottom) after connecting the center joints.**



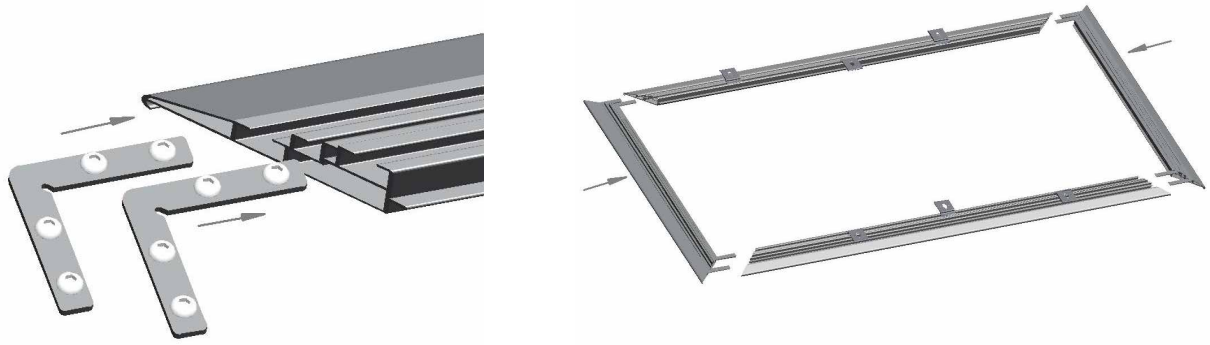
Step 4. After connecting the *center joints (e)*, insert 3 *brackets (g)* on each of the horizontal frames (top and bottom). Refer to the diagram below for *bracket (g)* placement. **Note: The top and bottom center brackets will be used to secure the center support bar.**



*For models 180" or above- Insert 5 *brackets (g)* on each of the horizontal frames (top and bottom).

NOTE: Make sure to complete step 4 before moving forward with the frame assembly. Failure to do so may result in disassembly of the screen to repeat the step.

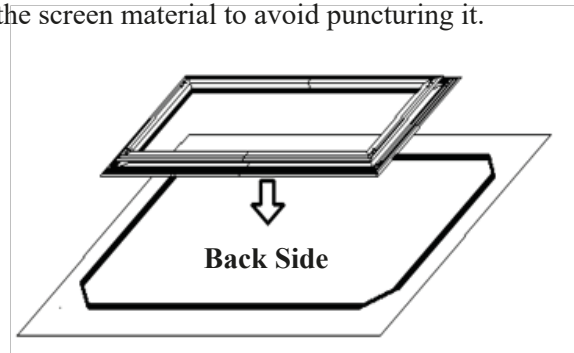
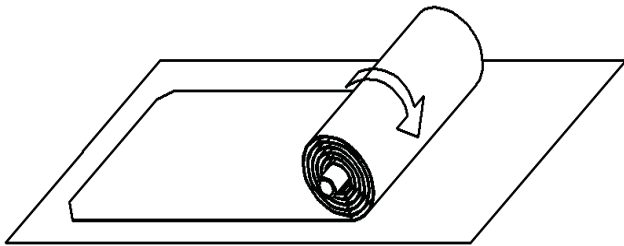
Step 5. Connect the *Elbow Joints (d)* to top and bottom sections of the vertical frame. Once inserted, connect the vertical sections to the horizontal frame sections. Make sure all the holes are in alignment and the frame pieces are flush (no gaps). They should form perfect right angles. **NOTE: Do not tighten elbow joints completely until all frame pieces are assembled correctly.**



Screen Material Installation

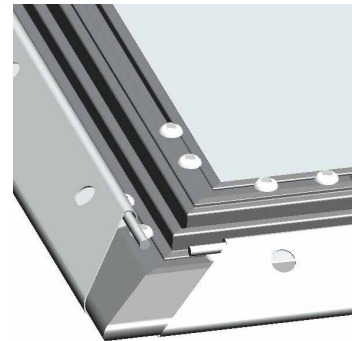
Step 1. Lay the screen material completely flat with the front facing down on a clean surface in a horizontal position. The back side of the screen material should be placed upwards.

Step 2. Carefully and gently place the assembled frame on top the screen material as shown below. Make sure to not allow the angle edge of the frame to come in direct contact with the screen material to avoid puncturing it.

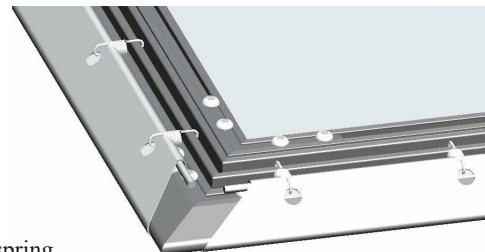


Step 3. Insert the four horizontal and two vertical **Tension Rods (i)** into the corresponding sides of the screen material, while keeping the material laying flat. Careful not to snag on the holes at the edge of the material during this process; forcing the rods may damage the screen material.

Step 4. After the tension rods have been inserted, make sure to have all corners aligned to the frame and fold over the material on each corner. **NOTE: Make sure to stretch the material tightly over the frame to maintain a flat surface.**



Step 5. Starting from all four corners, hook the **Springs (a)** through the hole located on the screen material's outer edge. First, hook the small spring head to the frame. Then using the **Spring hook (b)**, hook the other side of the spring to the material. **NOTE: Only do the corners for this step.**



Hook bigger spring head to material

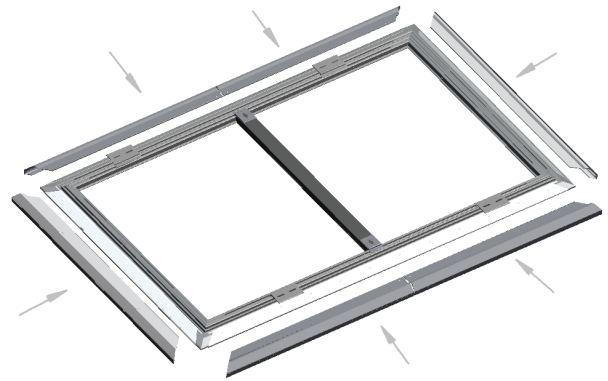
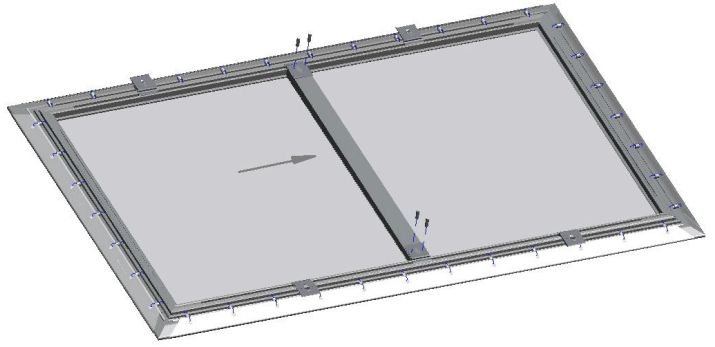
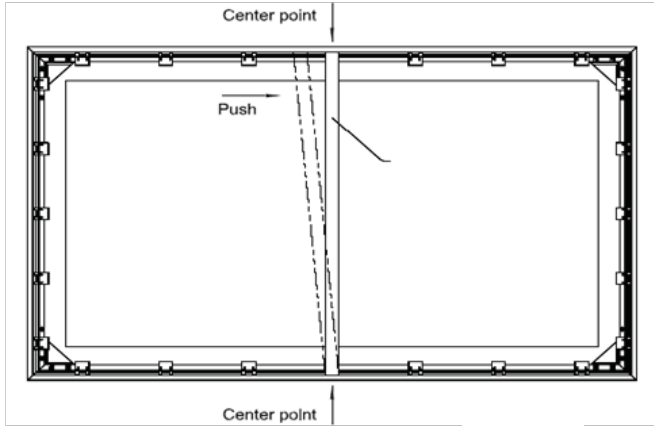


Hook small spring head to frame

Center Support Bar

Step 1. Two people are suggested for this step. Place the **Center Support Bar (h)** into the top groove of the back of the frame aligning it with the center bracket. Next, slowly push the opposite side of the center support bar towards the other center bracket as shown below. **NOTE: 180" models and above will require 3 center support bars (h).**

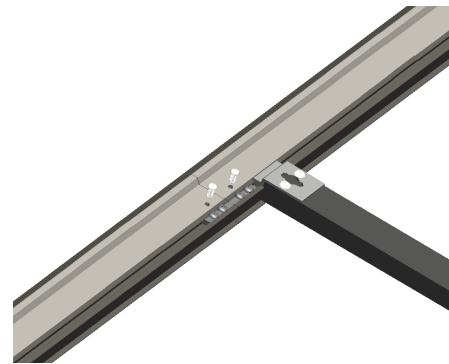
Step 2. Once the support bar is centered and secured, hook the remainder of the Springs working your way from the center. Lastly, insert the *M4x12 screws (k)* to the center *support bar (h)* and tighten.



Velvet Frame Installation

Step 1. Place the velvet frame pieces over each side of the frame and secure it using the *M5x12 screws (l)*. **NOTE: Do not completely tighten the screws until you make sure each corner forms a right angle.**

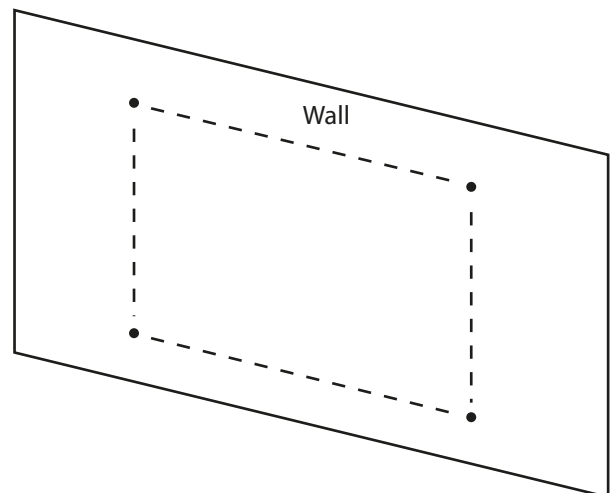
Step 2. Make sure to secure the corner and center *M5x12 screws (l)* of the velvet frame.



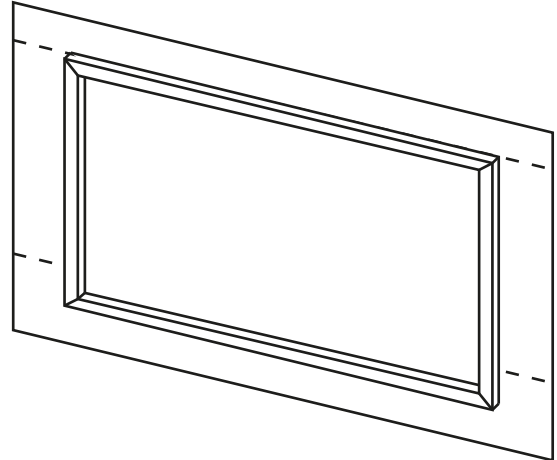
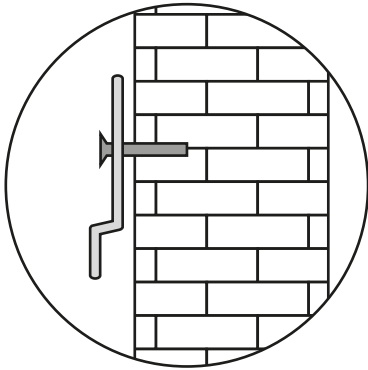
Wall Installation

Step 1. Locate your desired installation location and measure the distance between the top and bottom bracket holes on the frame. Next, Mark the drill-hole area of where the screen is to be installed as shown.

Step 2. Using the marked area, drill holes on the wall and keep a 5mm distance outside. **NOTE: This is where the brackets will be placed.**



Step 3. Place the wall *anchor (f)* followed by an *M5x40 screw (j)* to the wall for each bracket on the frame. Next, using two people, carefully position the screen onto the wall. Your installation is now complete.



Disclaimer

In rare instances you may see creases or memory lines on the material surface after installation. In order to resolve this, keep the screen in a warm room environment (above 75 degrees) for a few days. This allows the material to stretch out and cure itself. After a few days, the creases should vanish and the material should be alleviated.

For Technical support or an Elite Screens contact in your area, visit
www.elitescreens.com